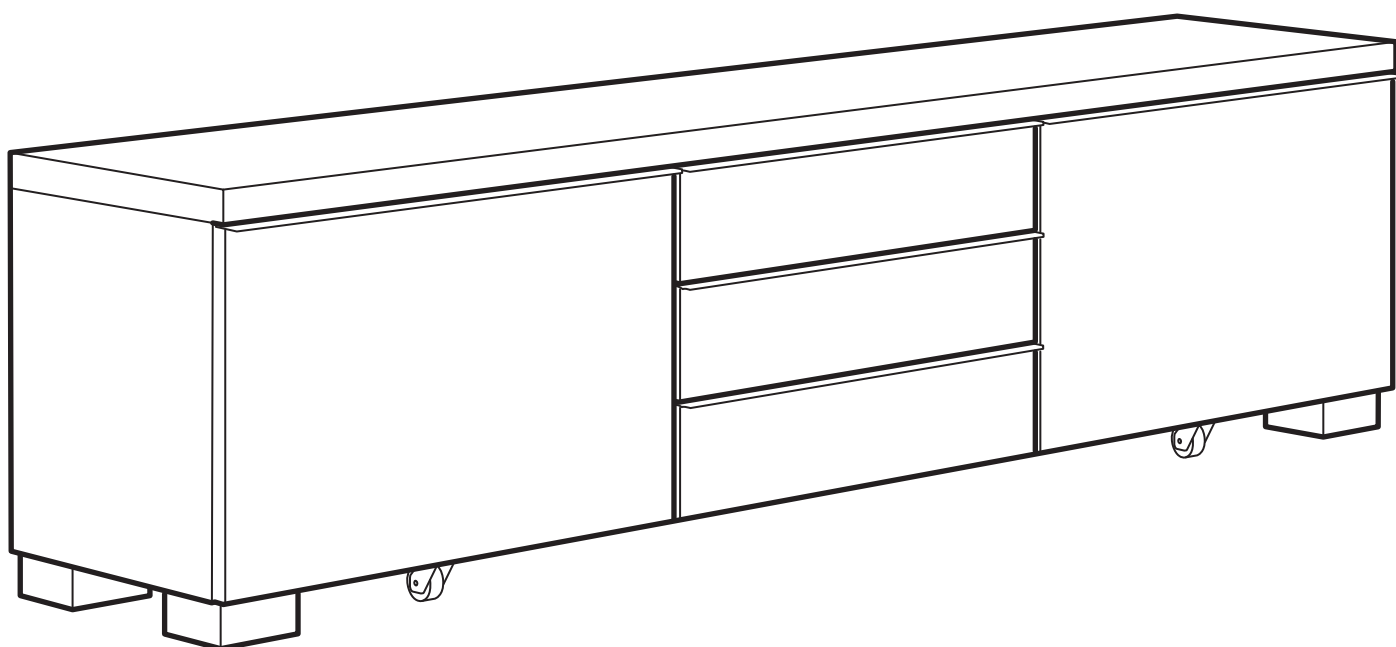
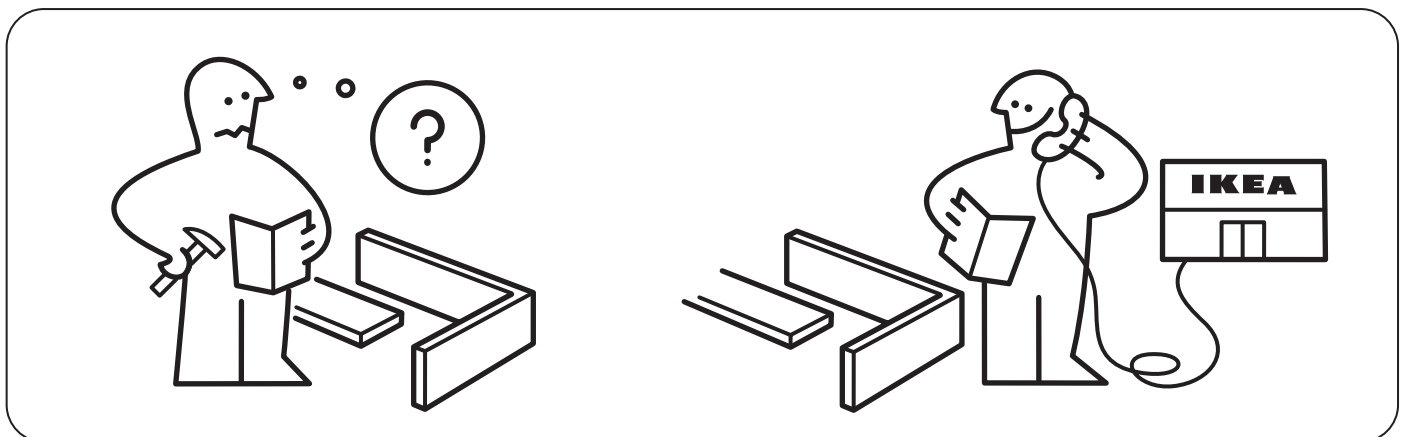
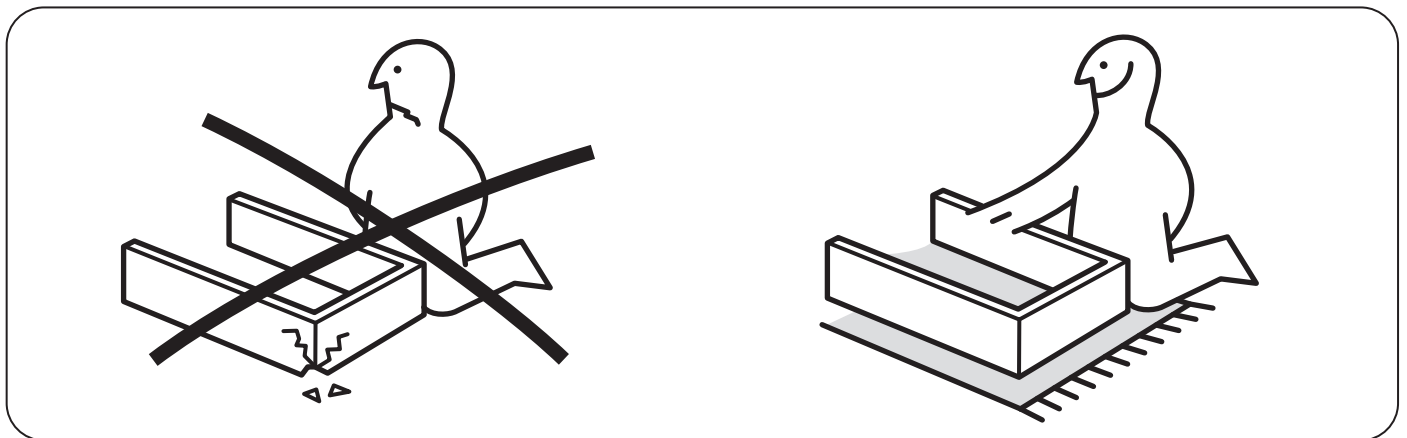
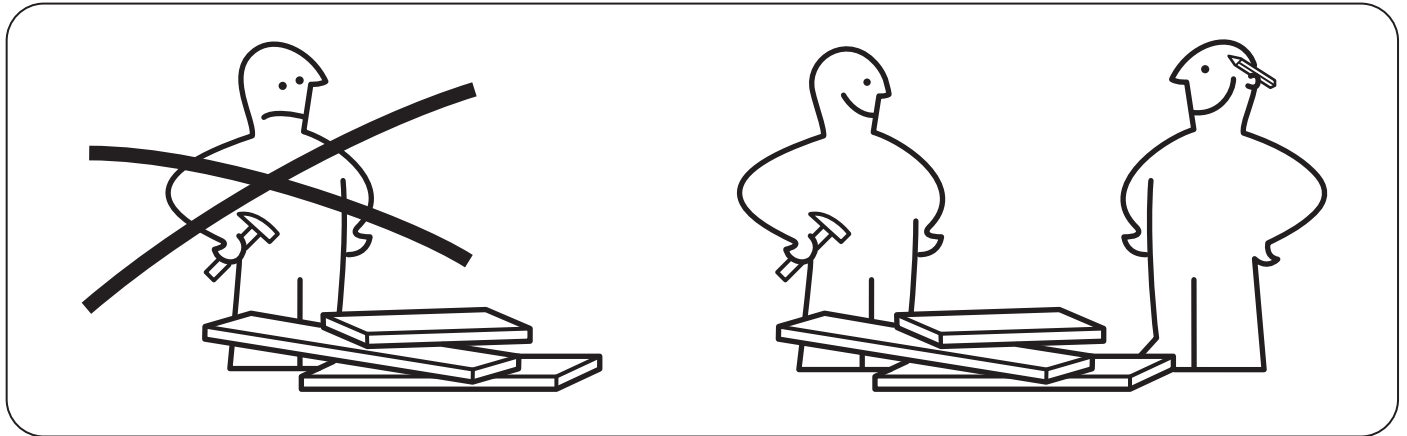
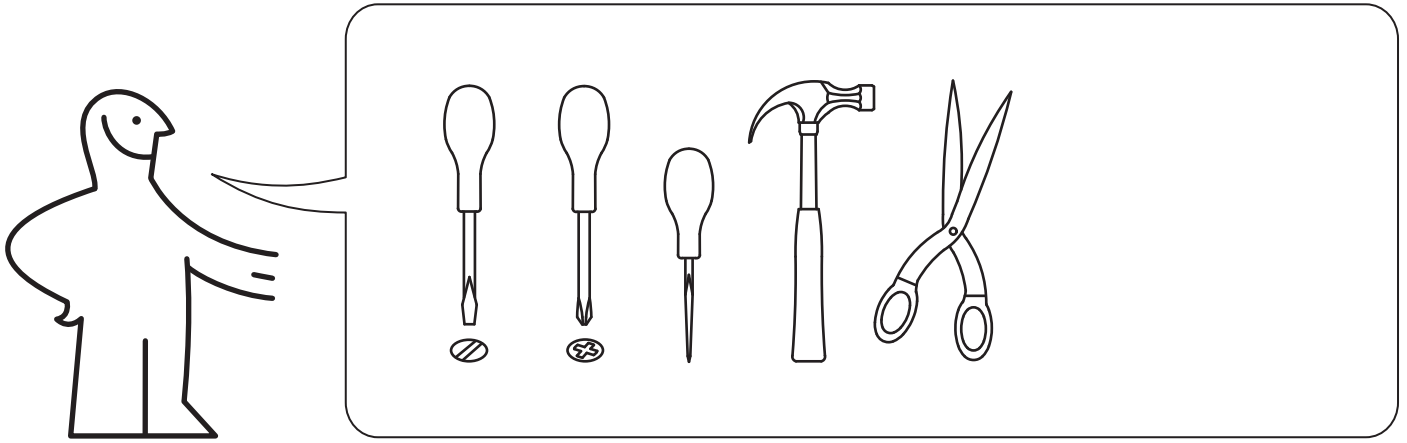
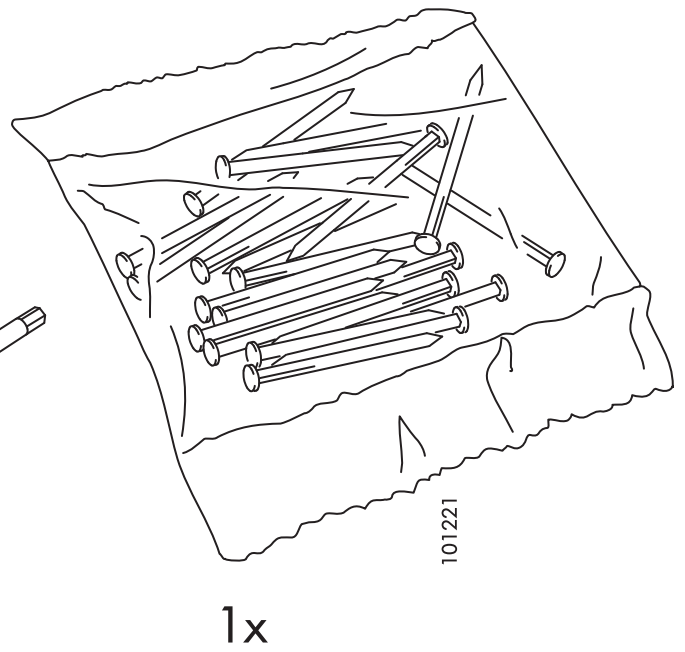
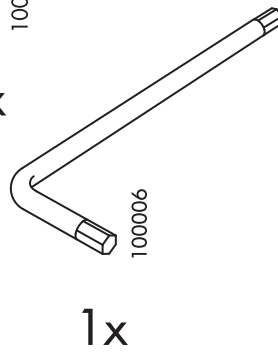
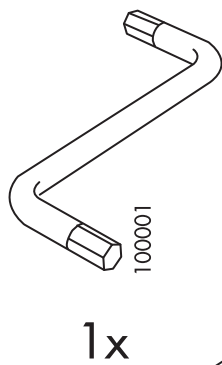
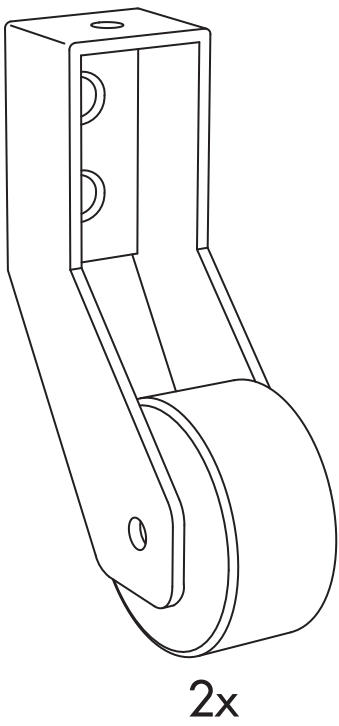
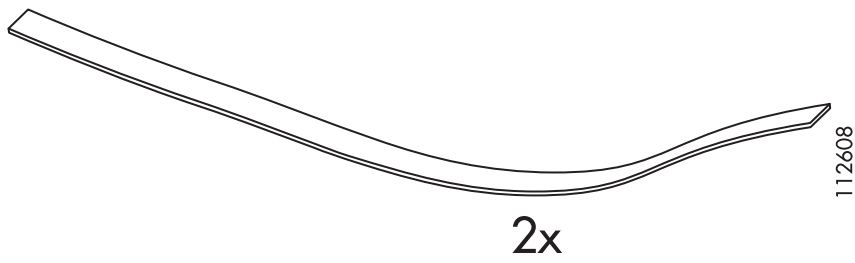
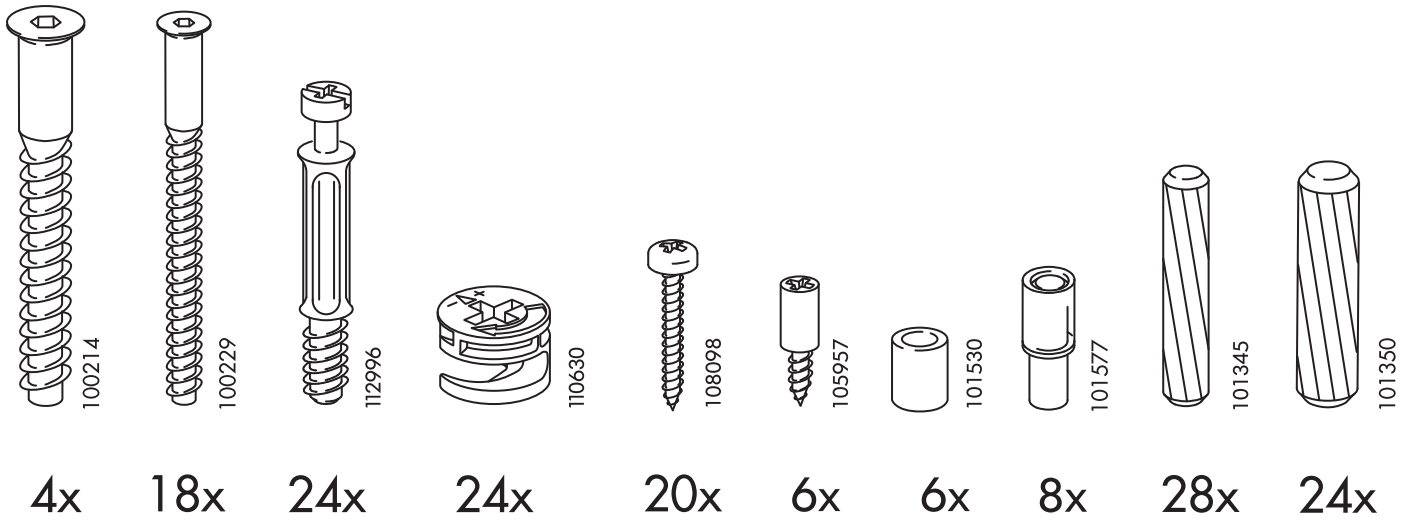
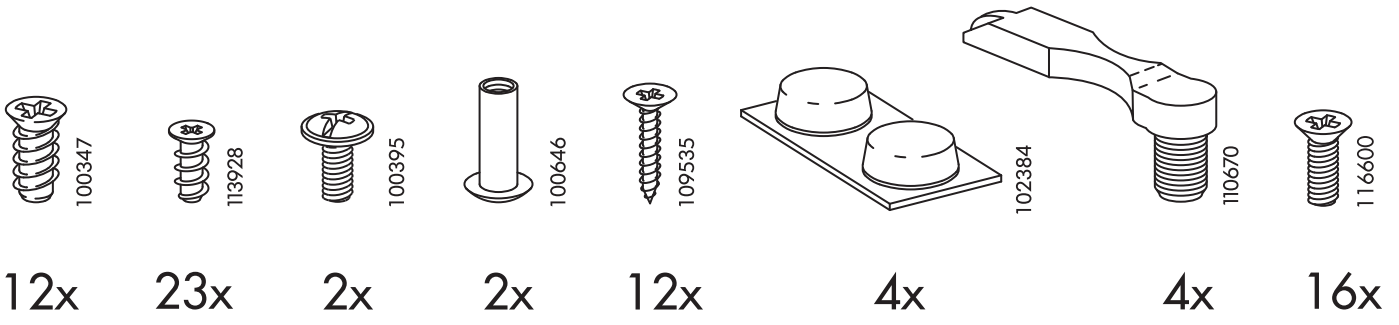


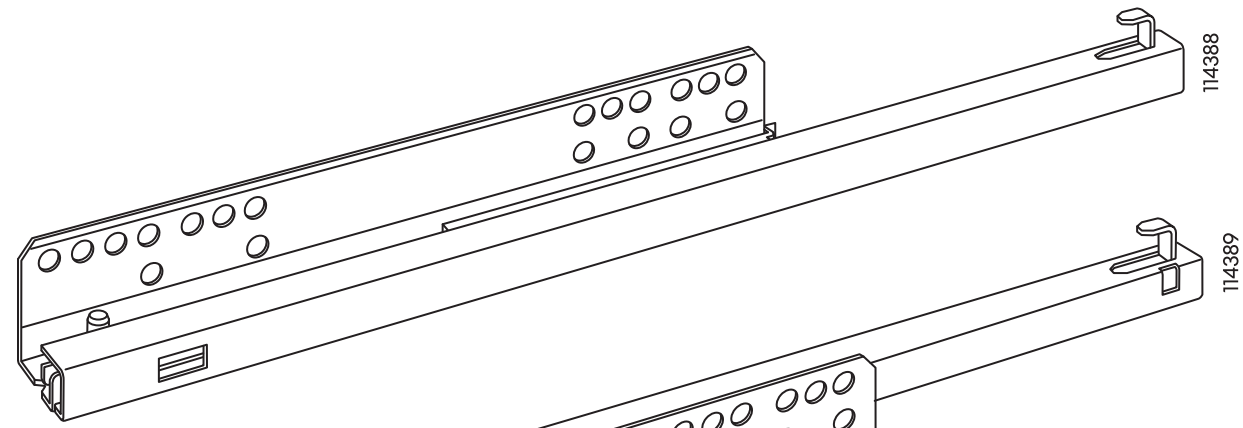
# BESTÅ BURS



Design and Quality  
IKEA of Sweden



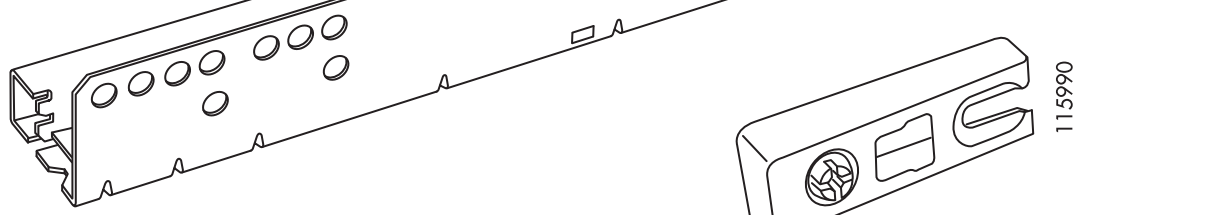




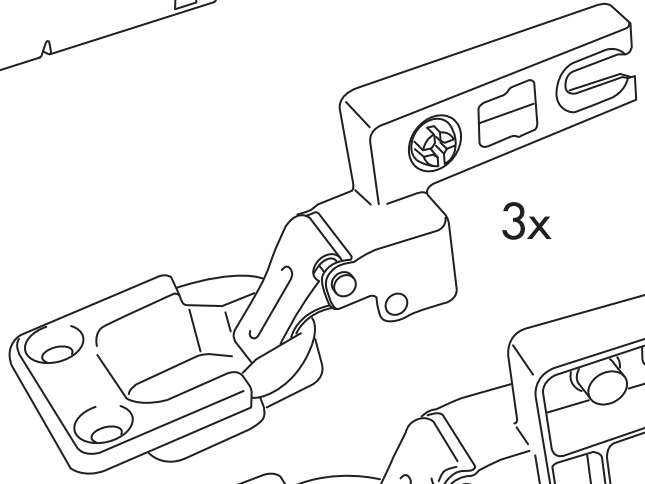
114388

114389

2x

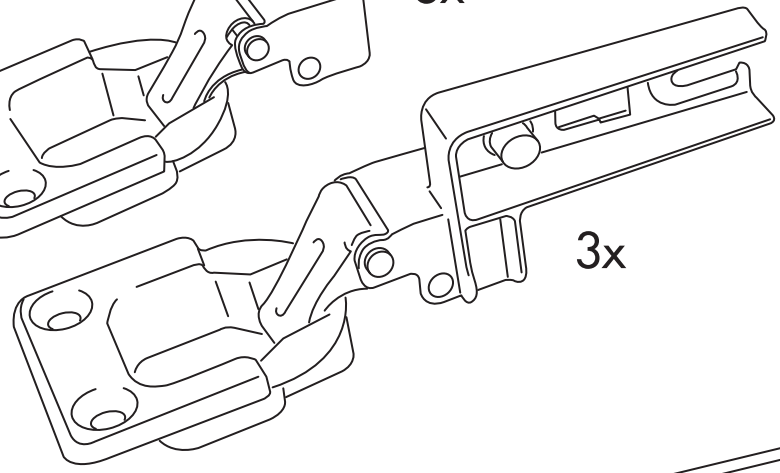


2x



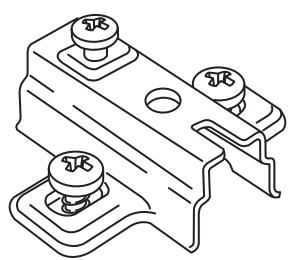
115990

3x



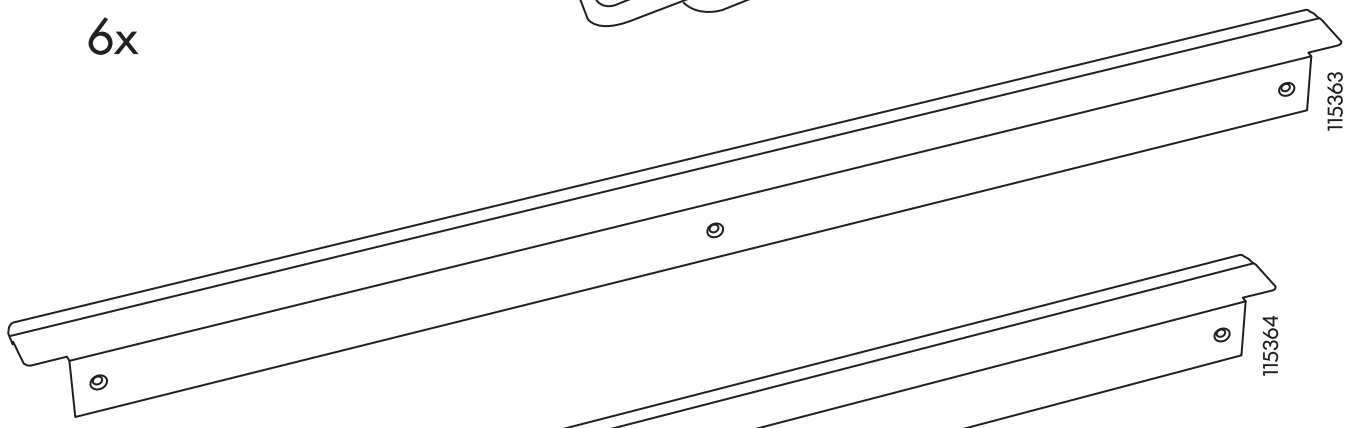
115989

3x



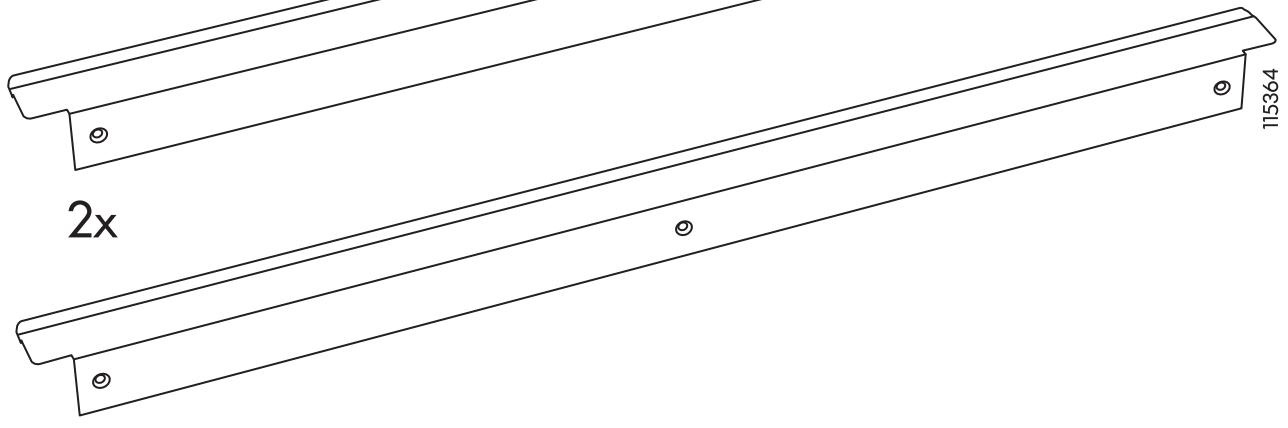
115991

6x



115363

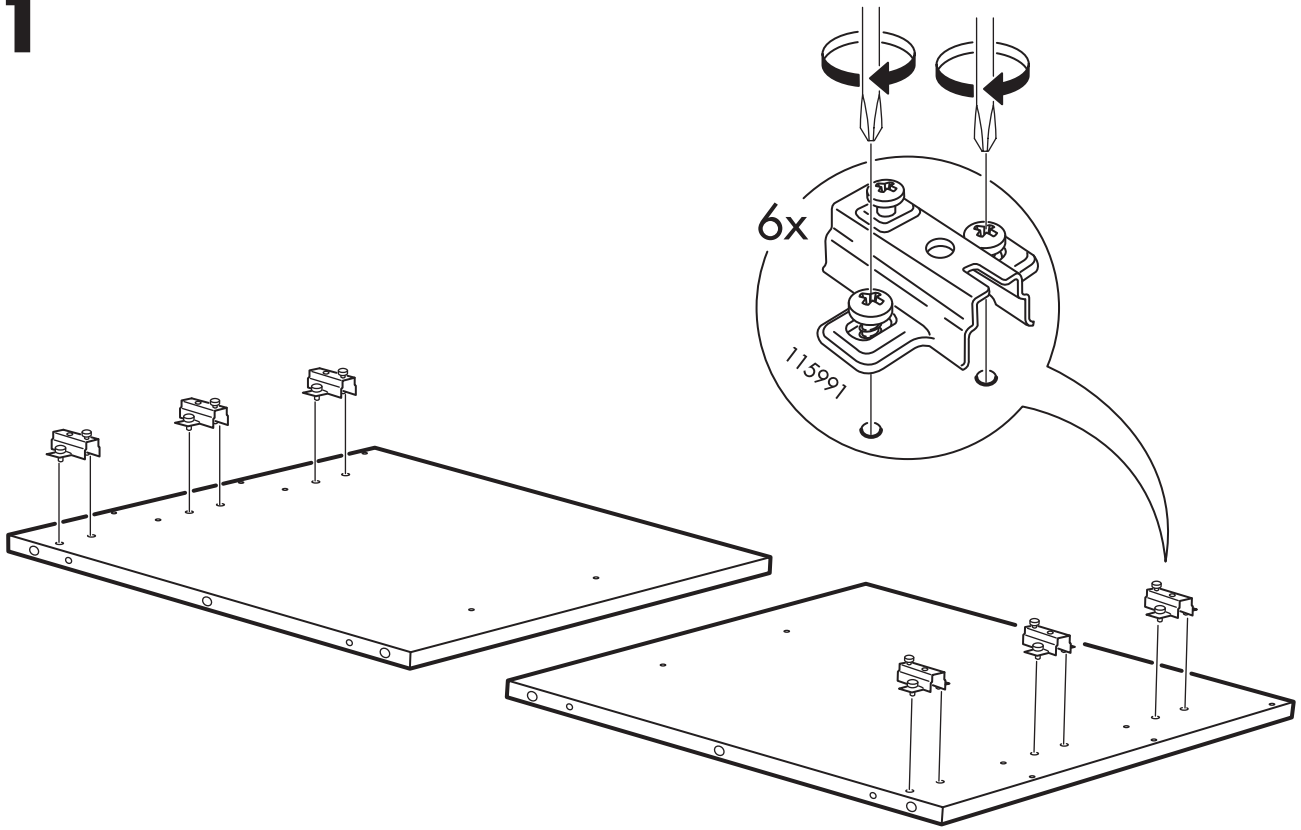
2x



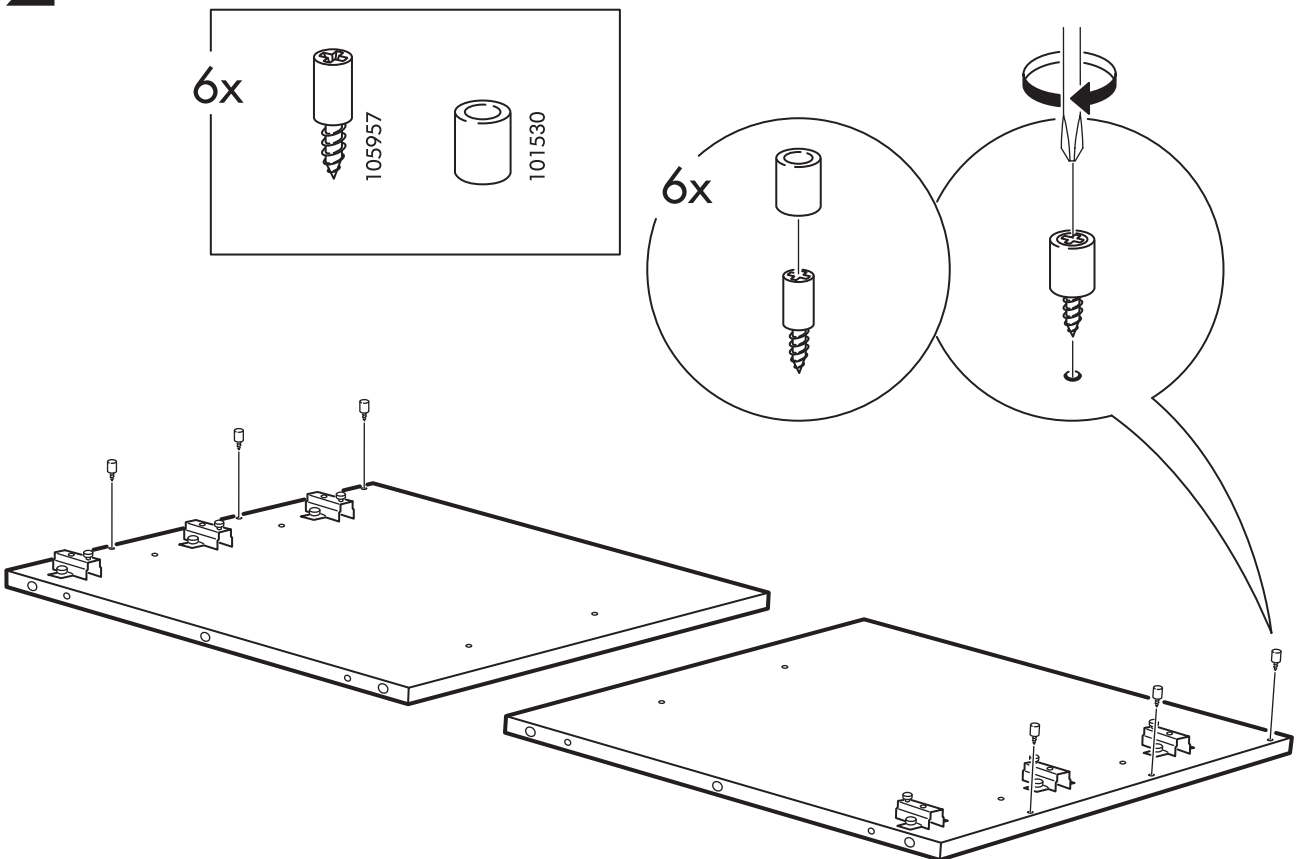
115364

3x

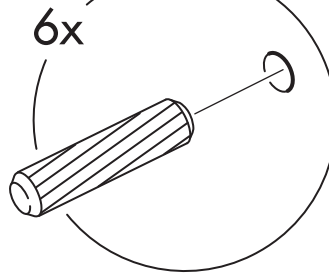
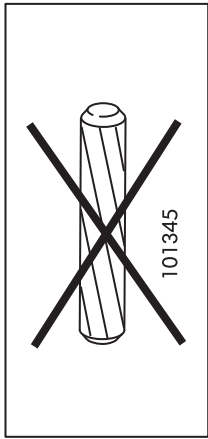
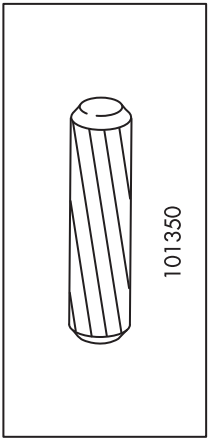
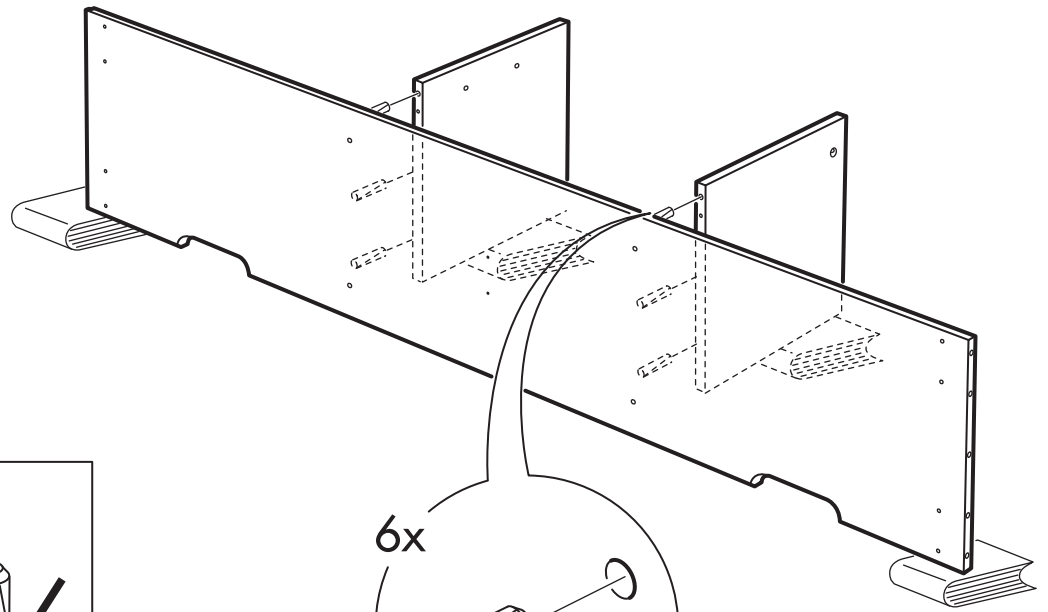
# 1



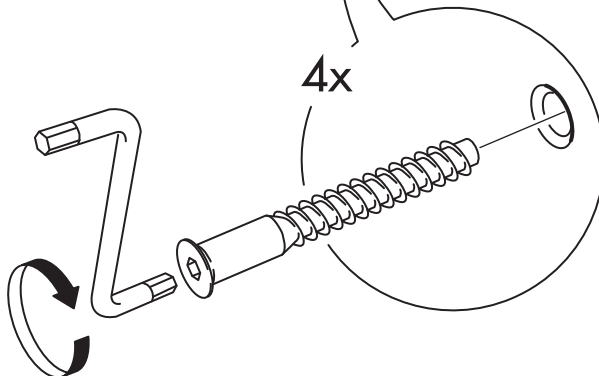
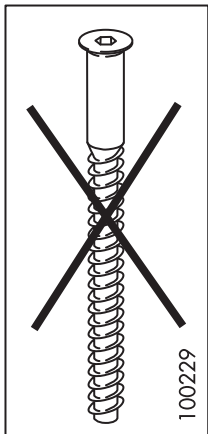
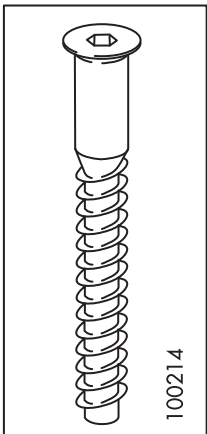
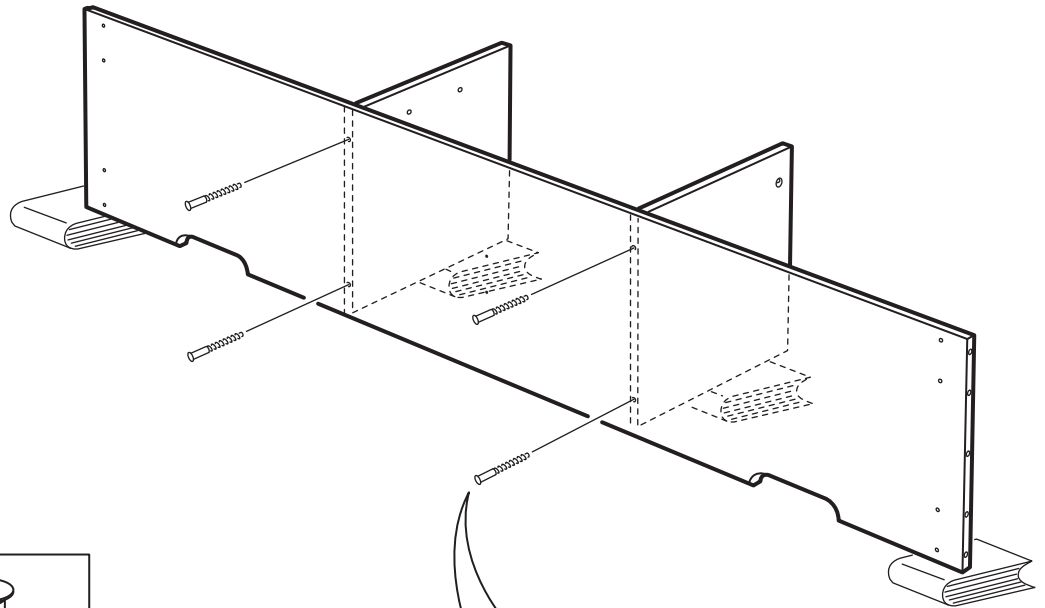
# 2



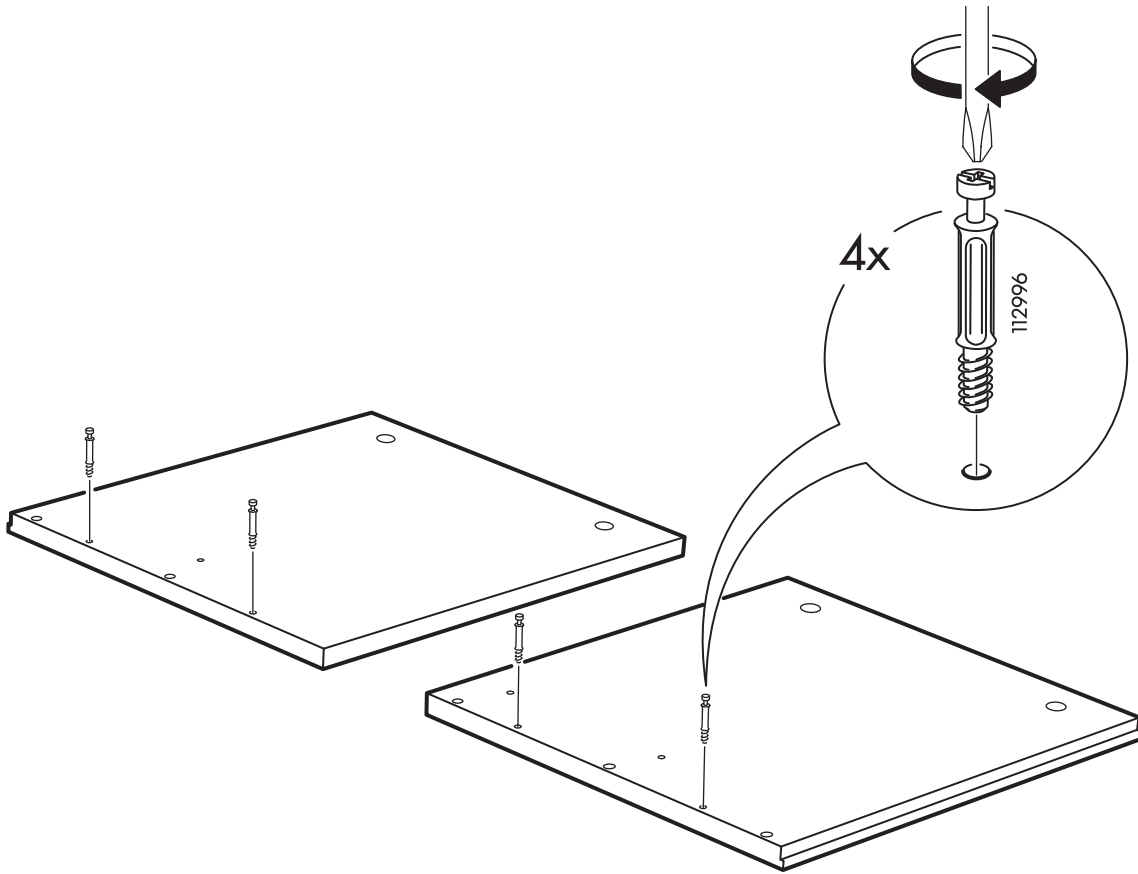
**3**



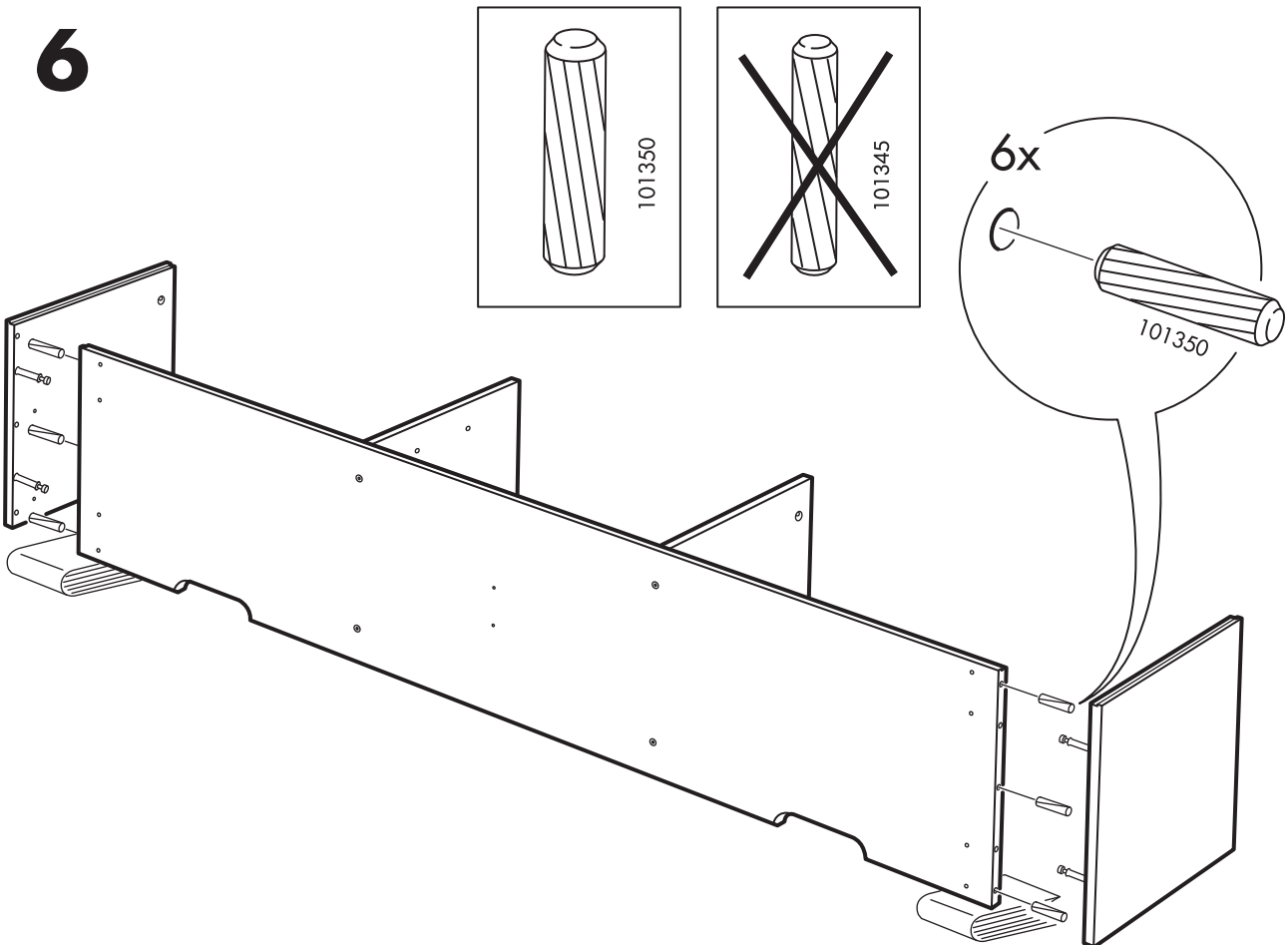
**4**



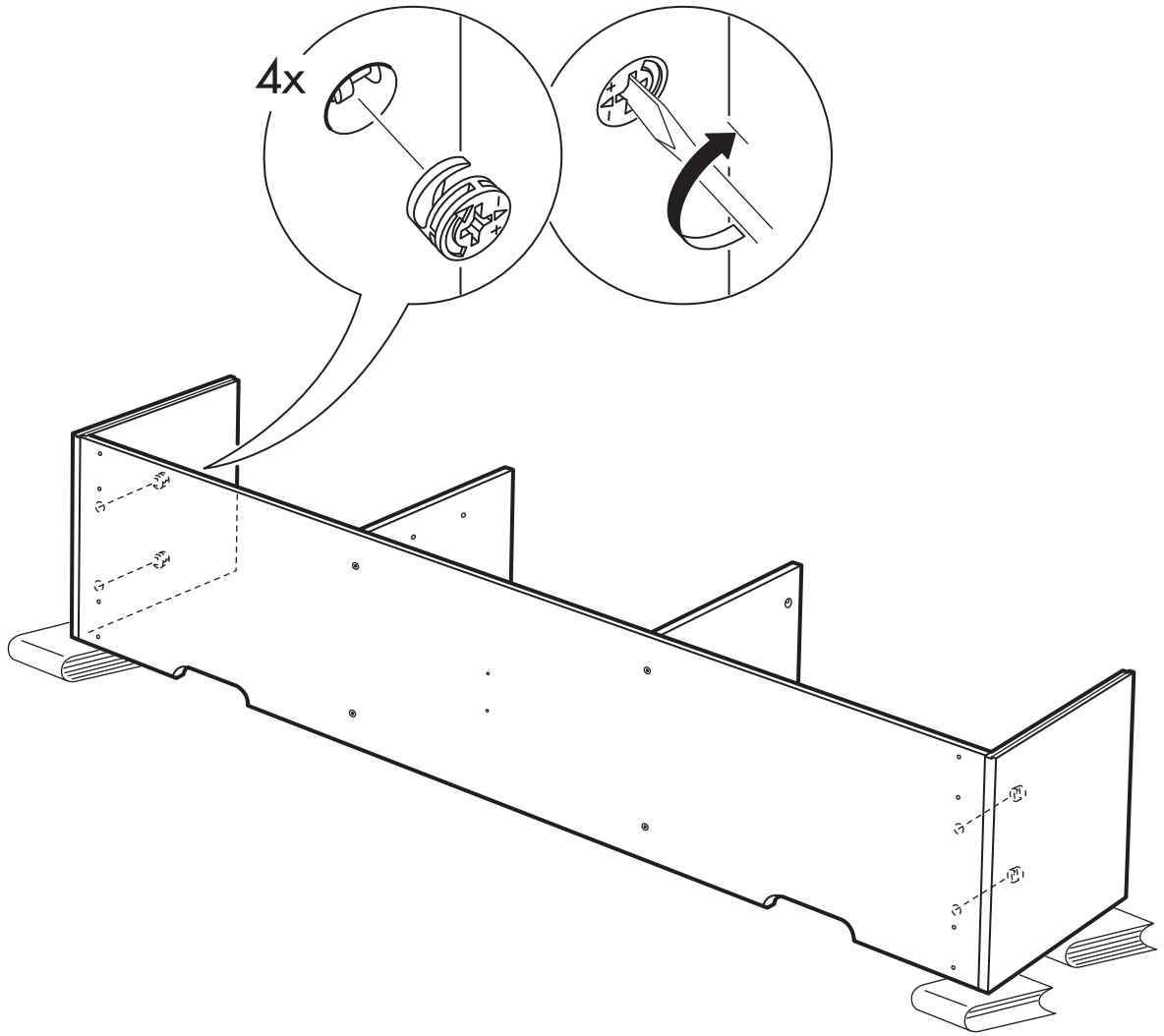
**5**



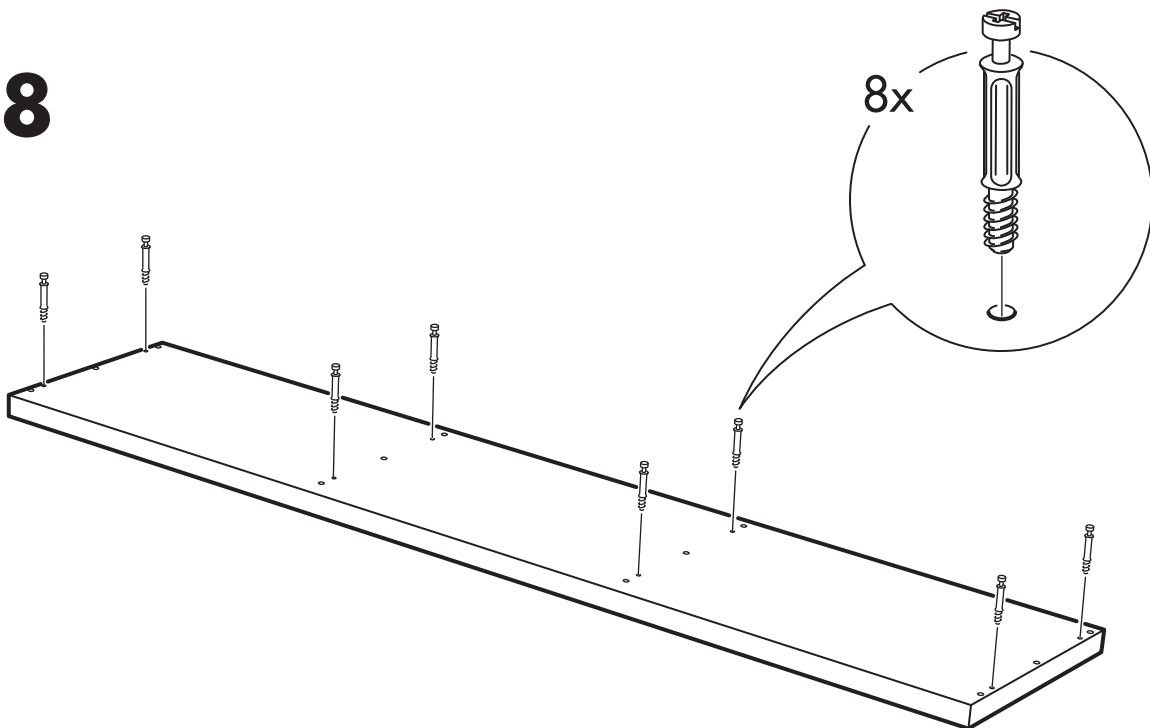
**6**



7

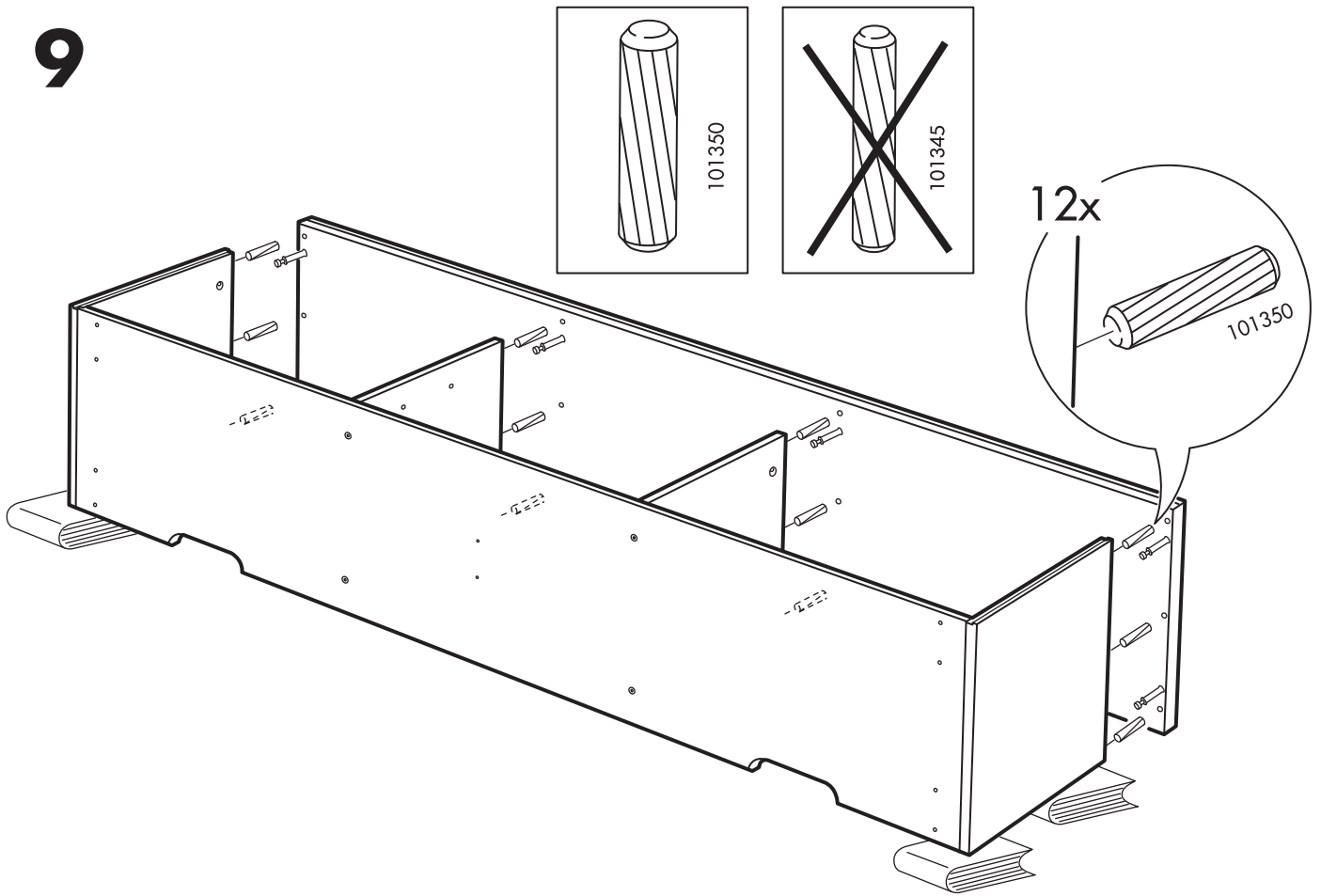


8

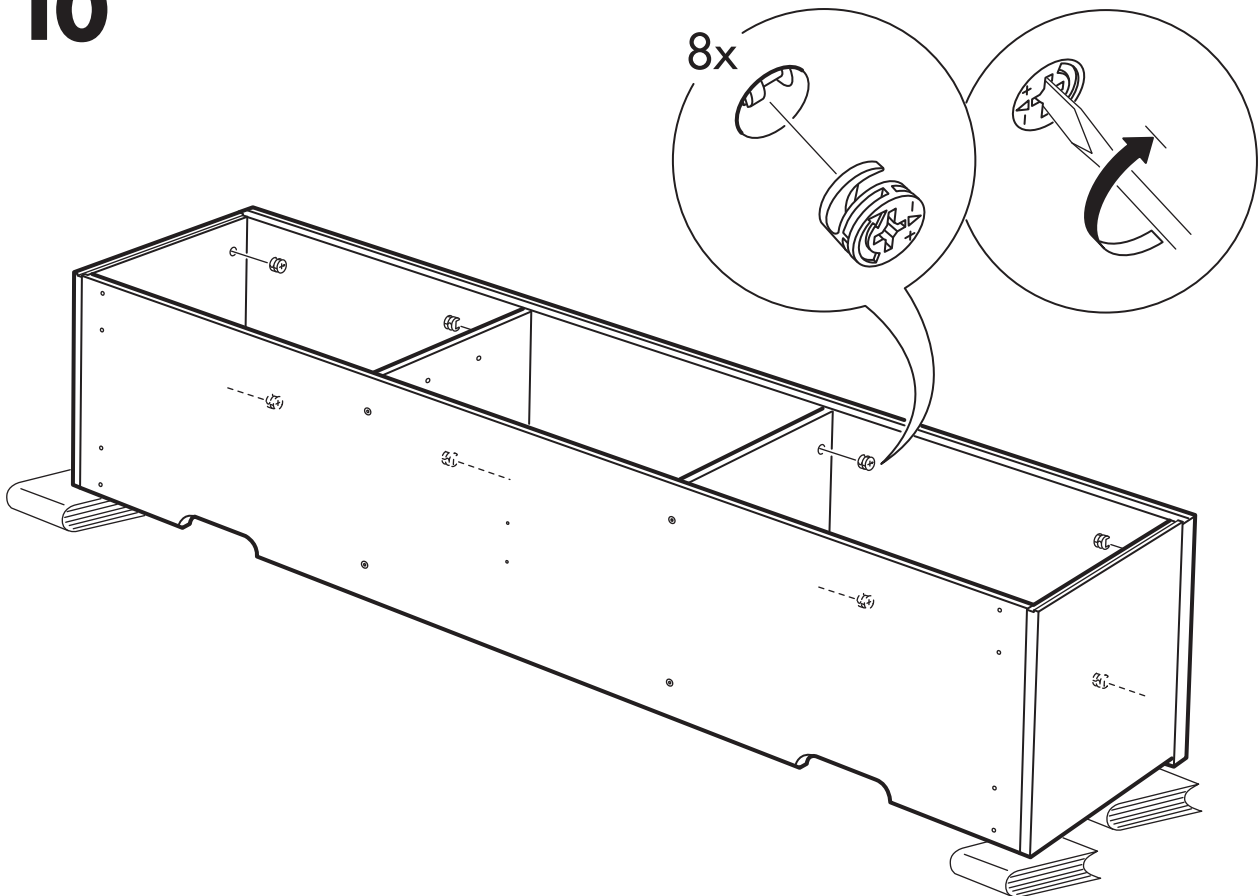


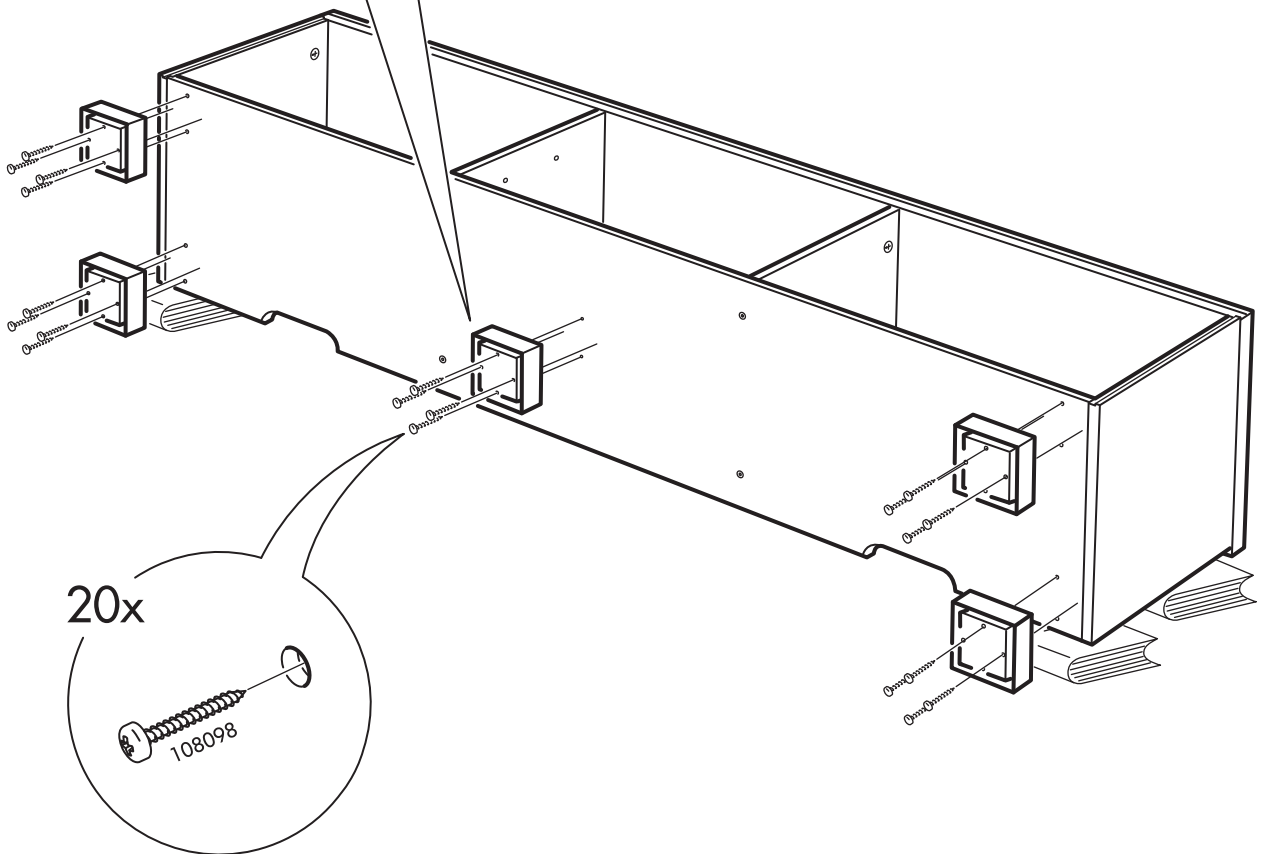
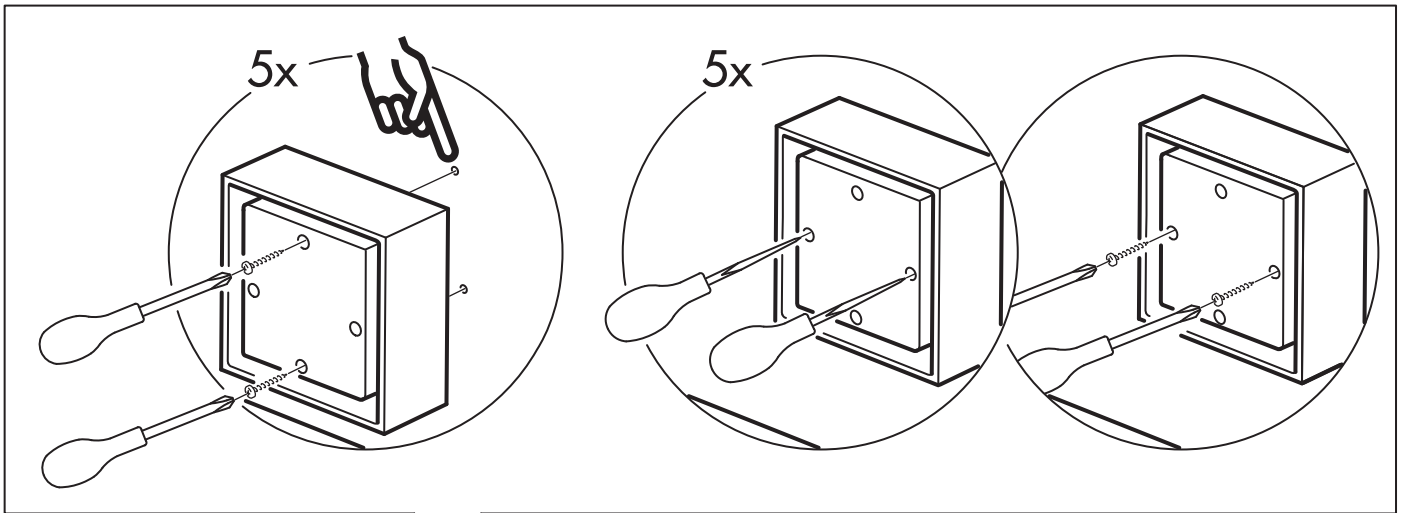


9

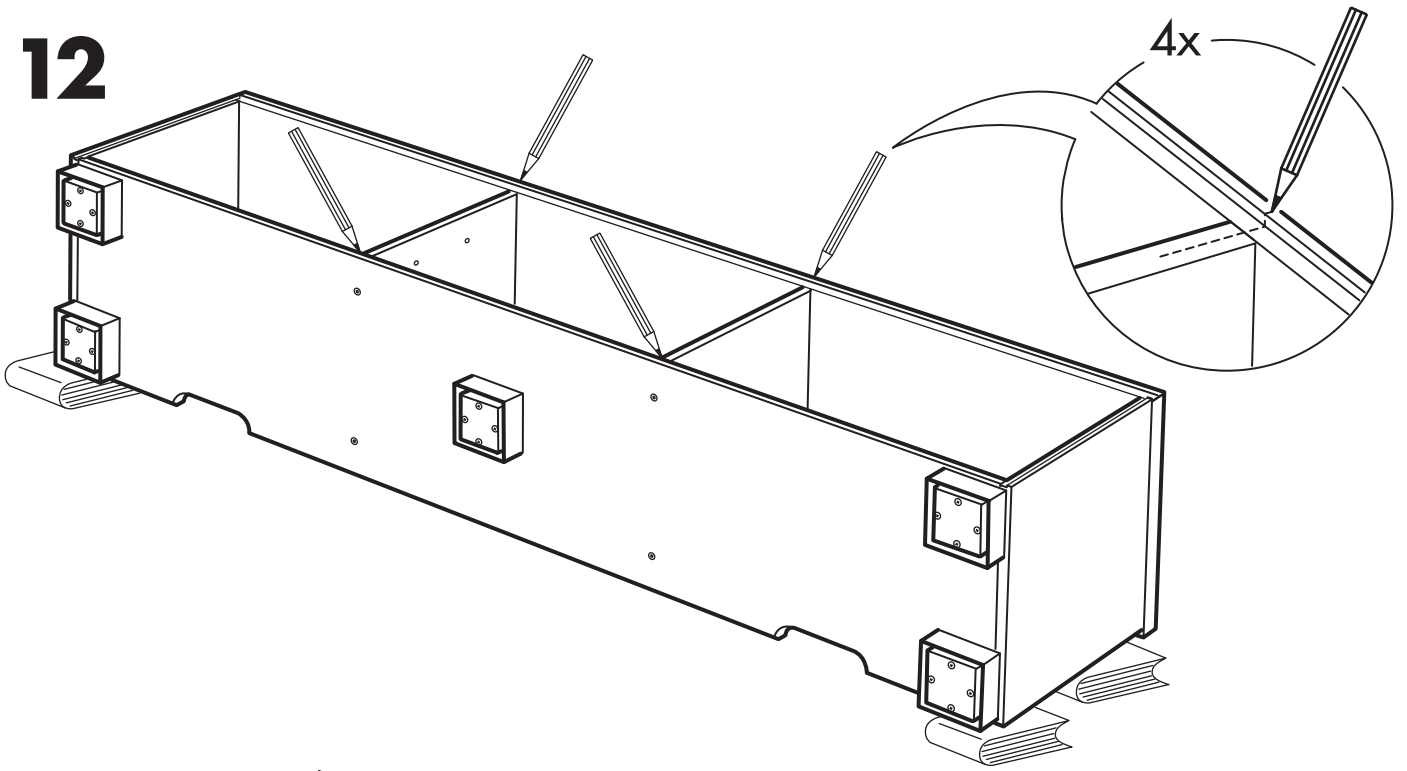


10

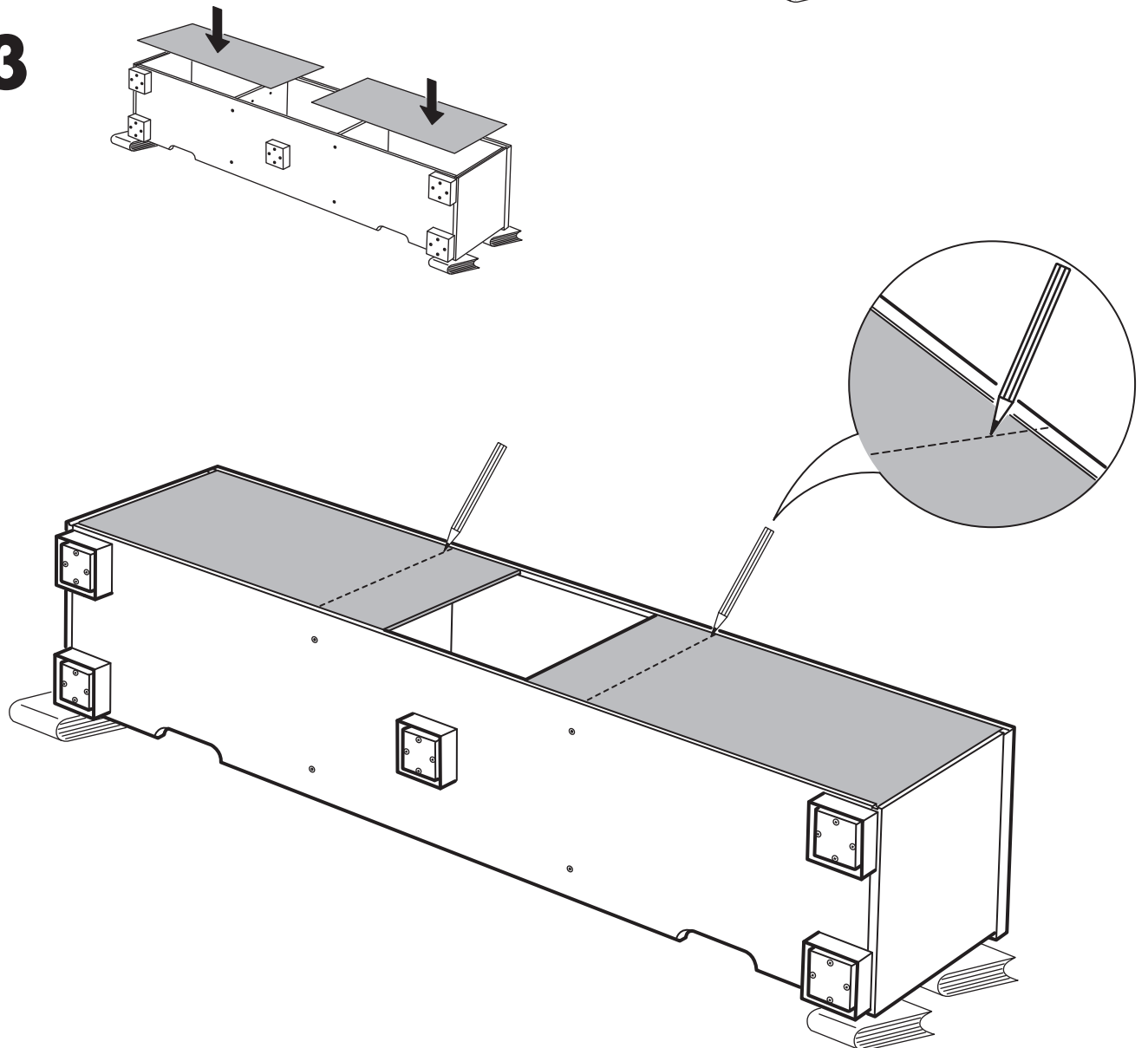




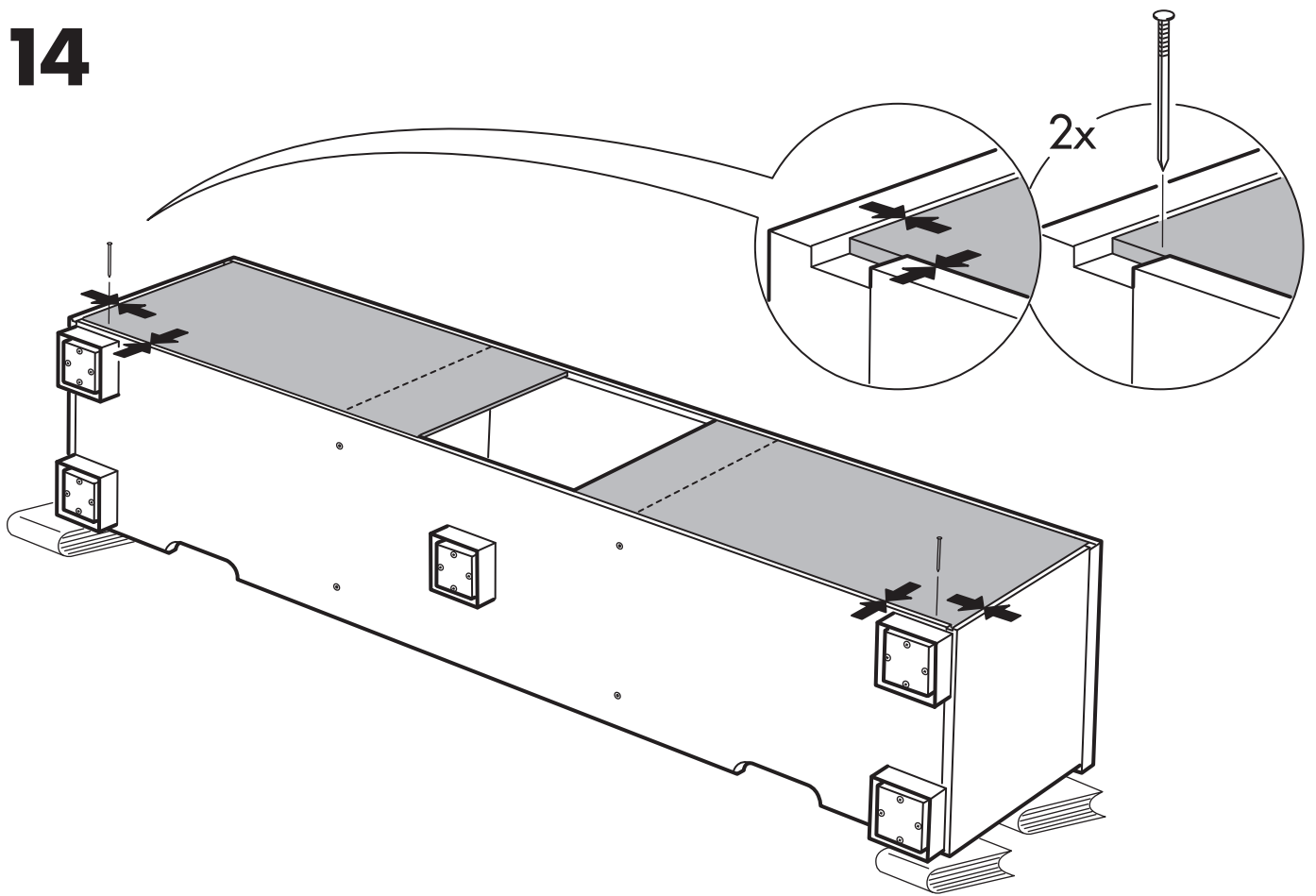
# 12



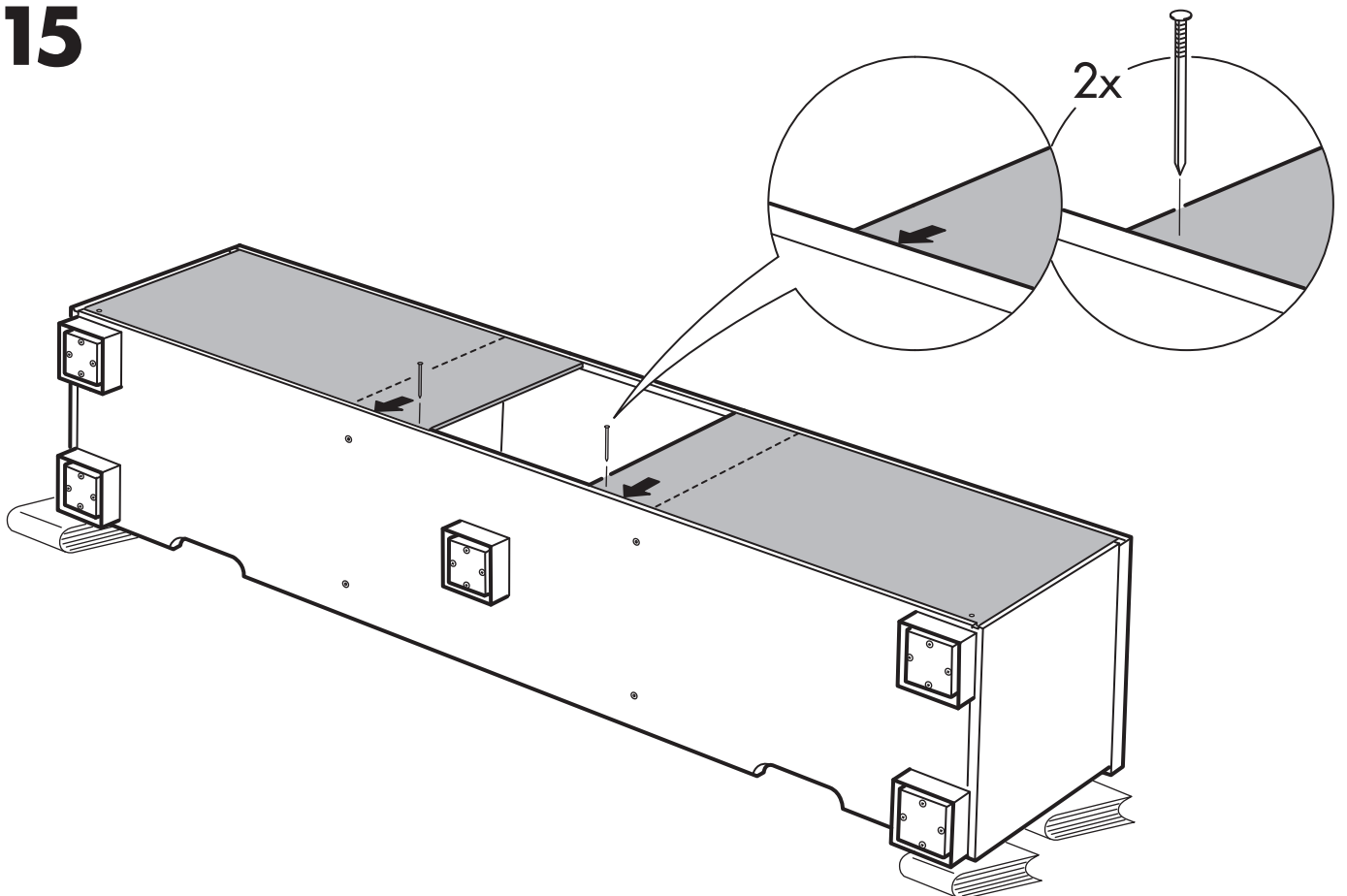
# 13



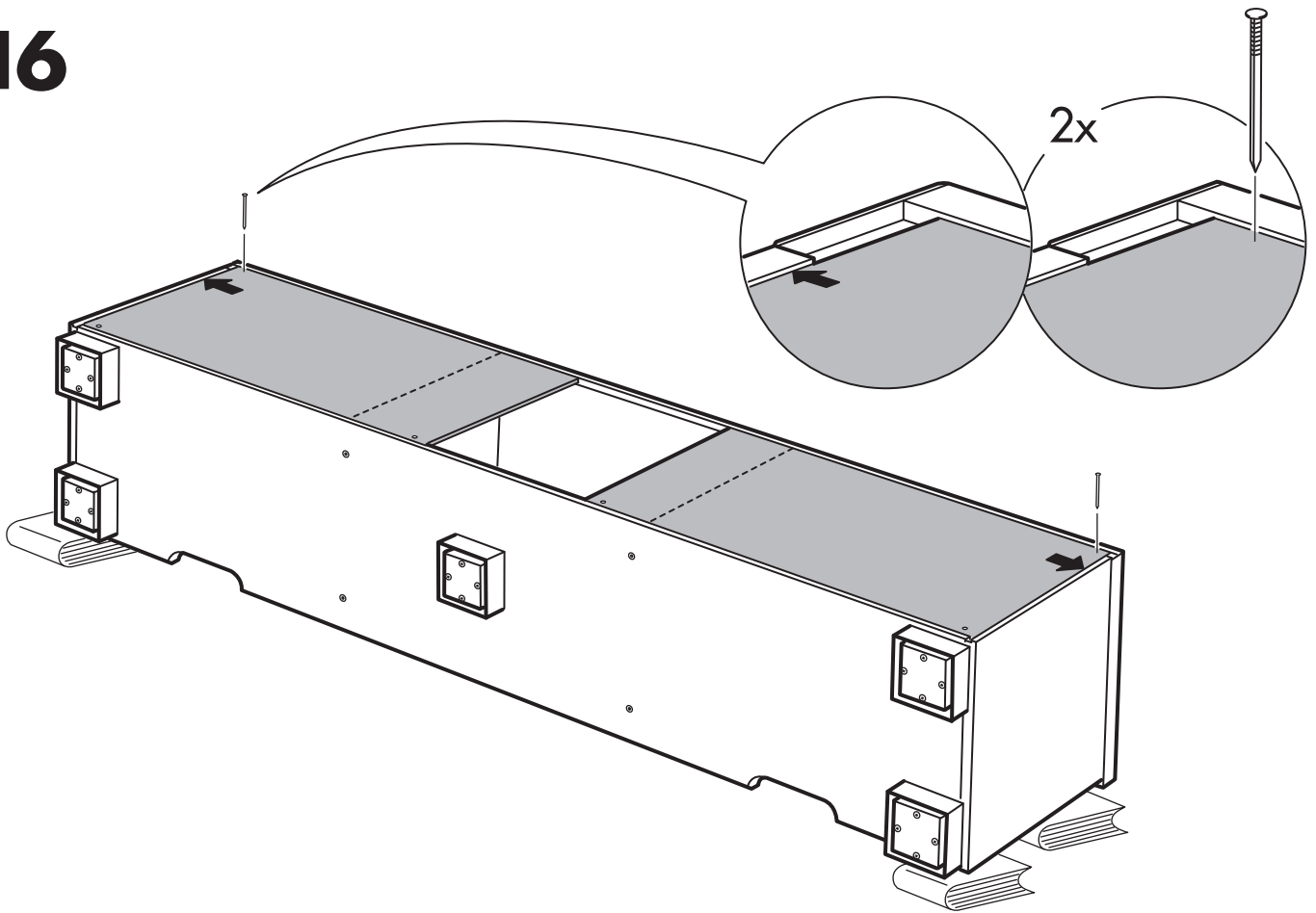
# 14



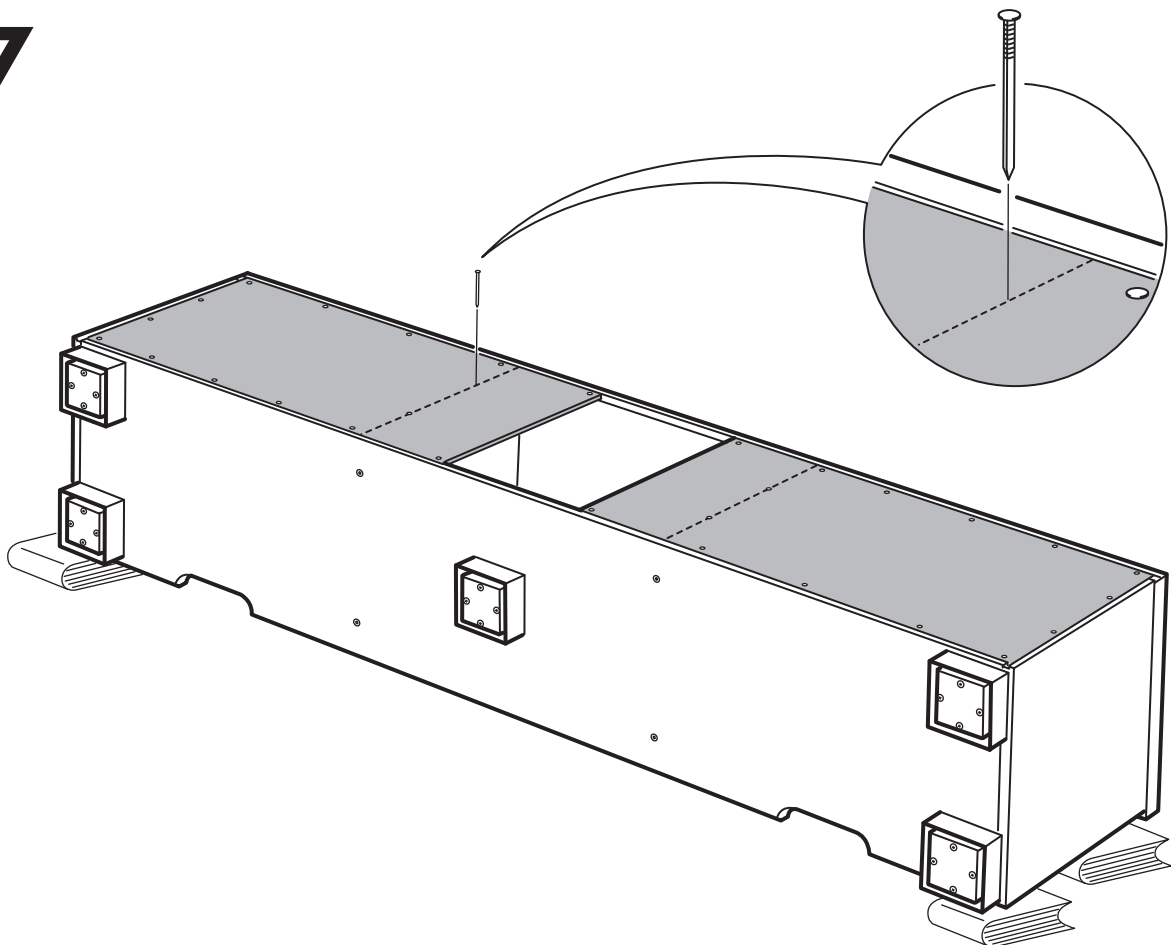
# 15



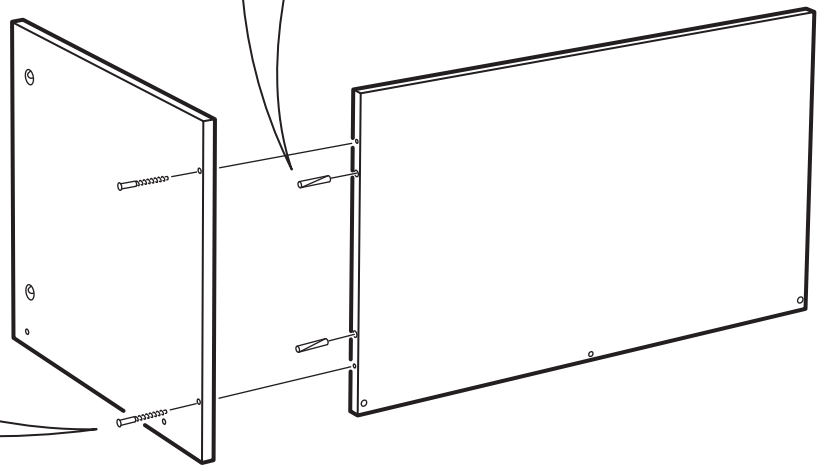
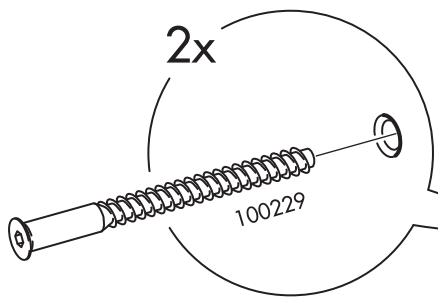
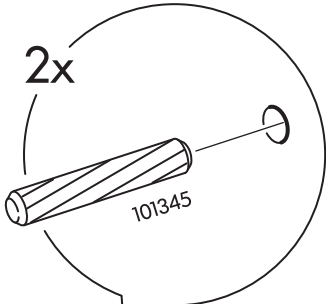
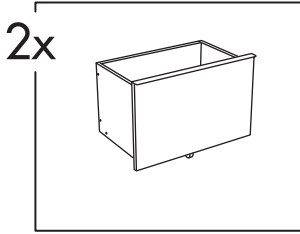
# 16



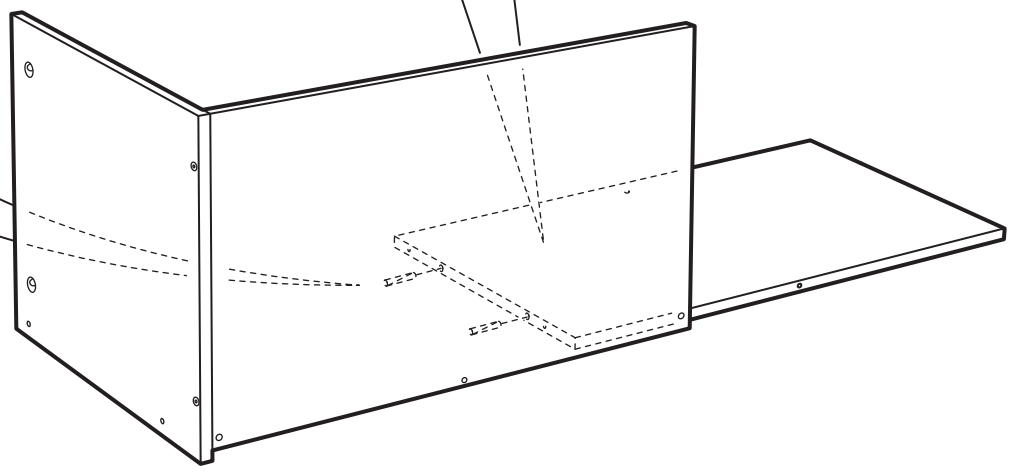
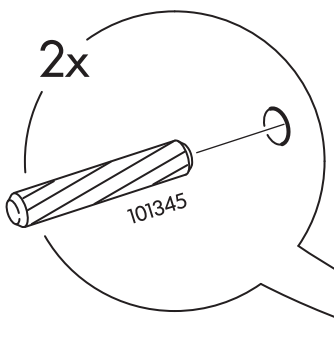
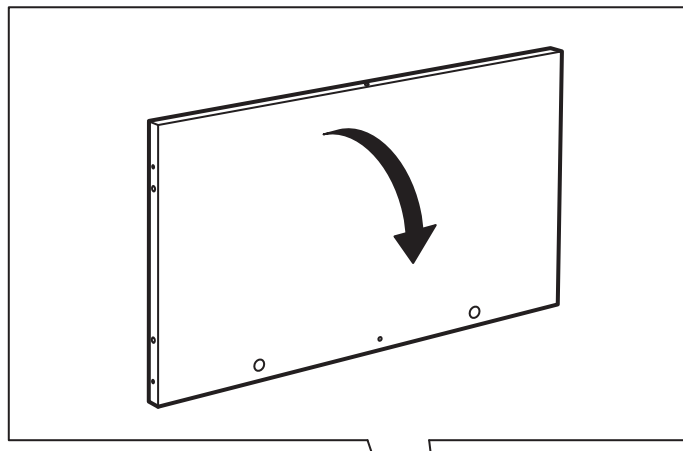
# 17



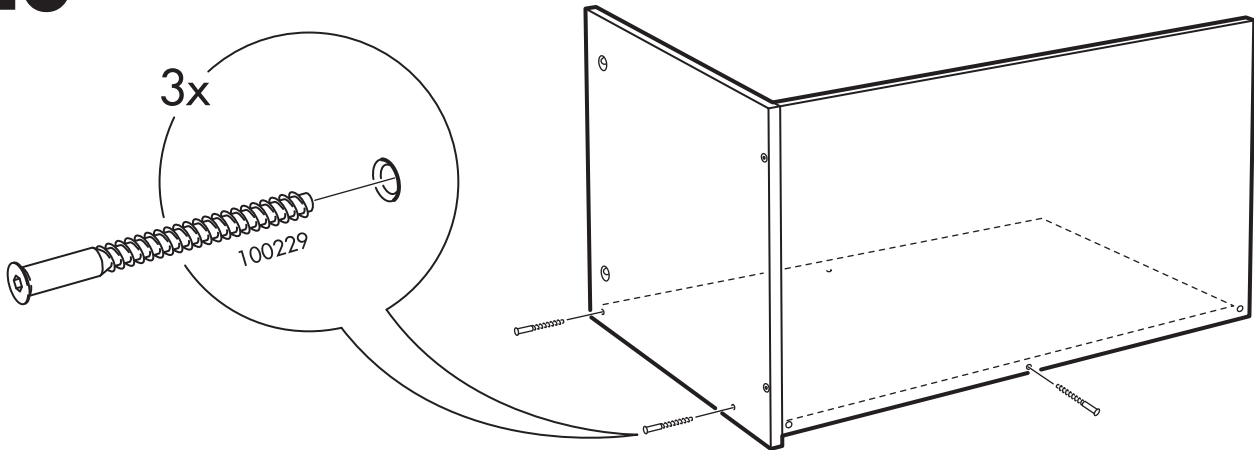
# 18



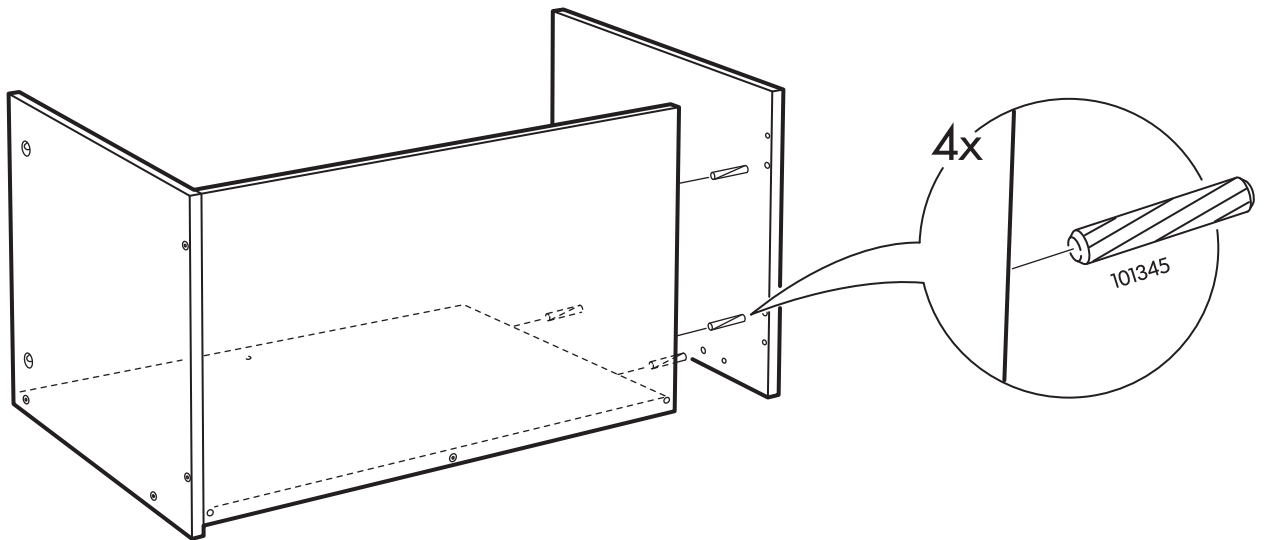
# 19



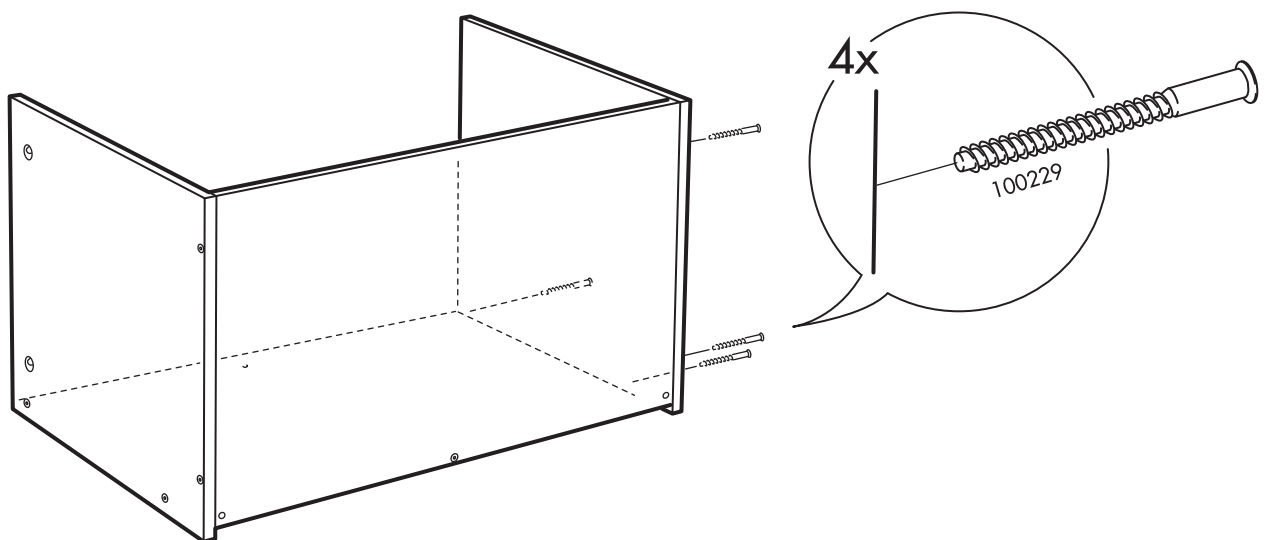
**20**



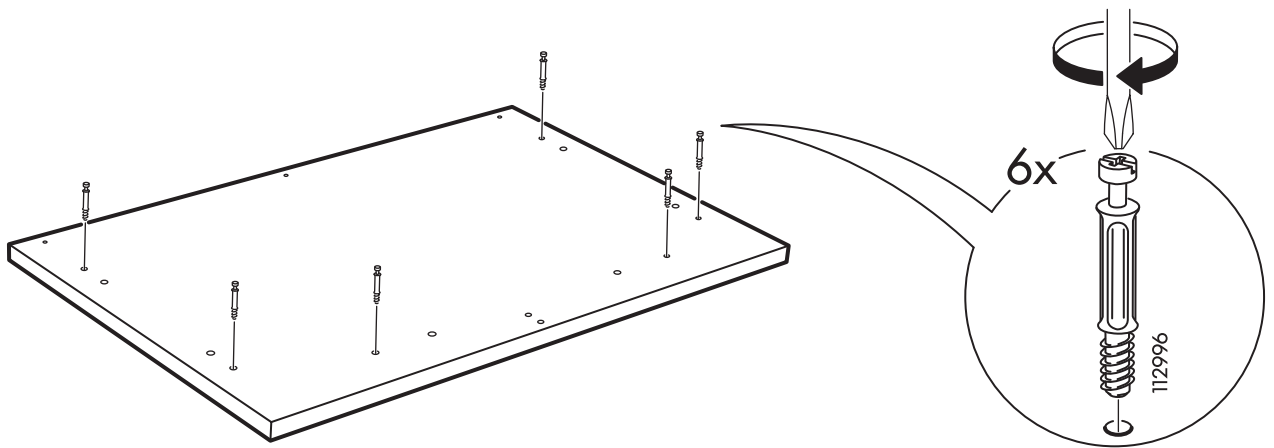
**21**



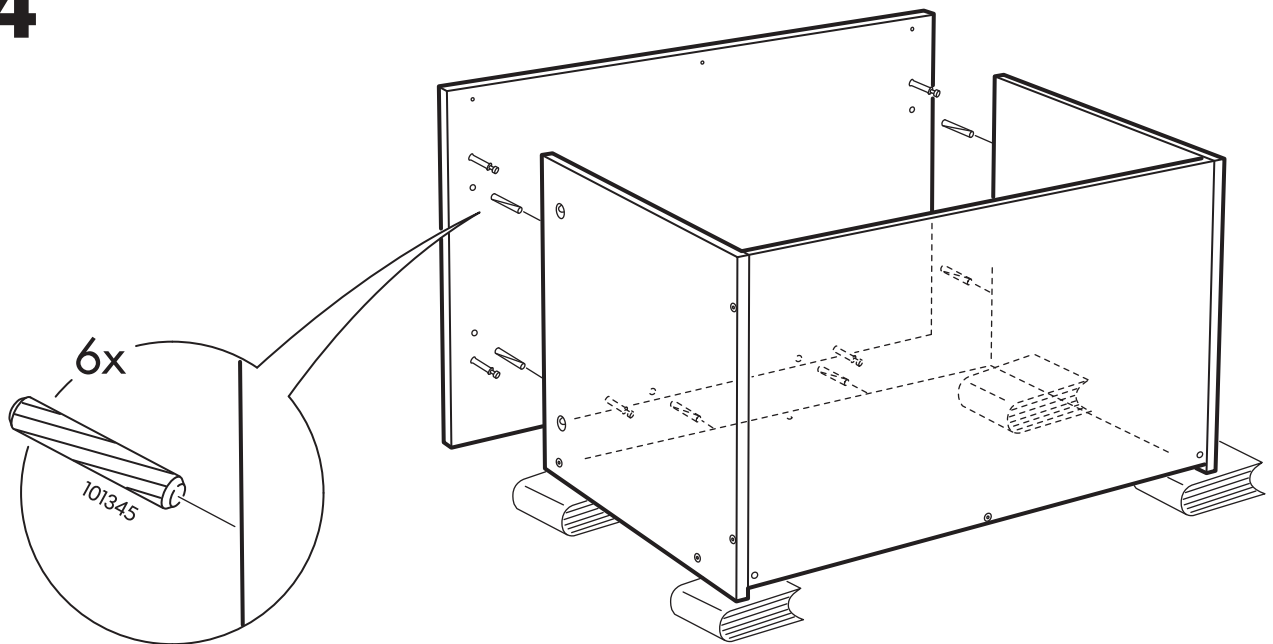
**22**



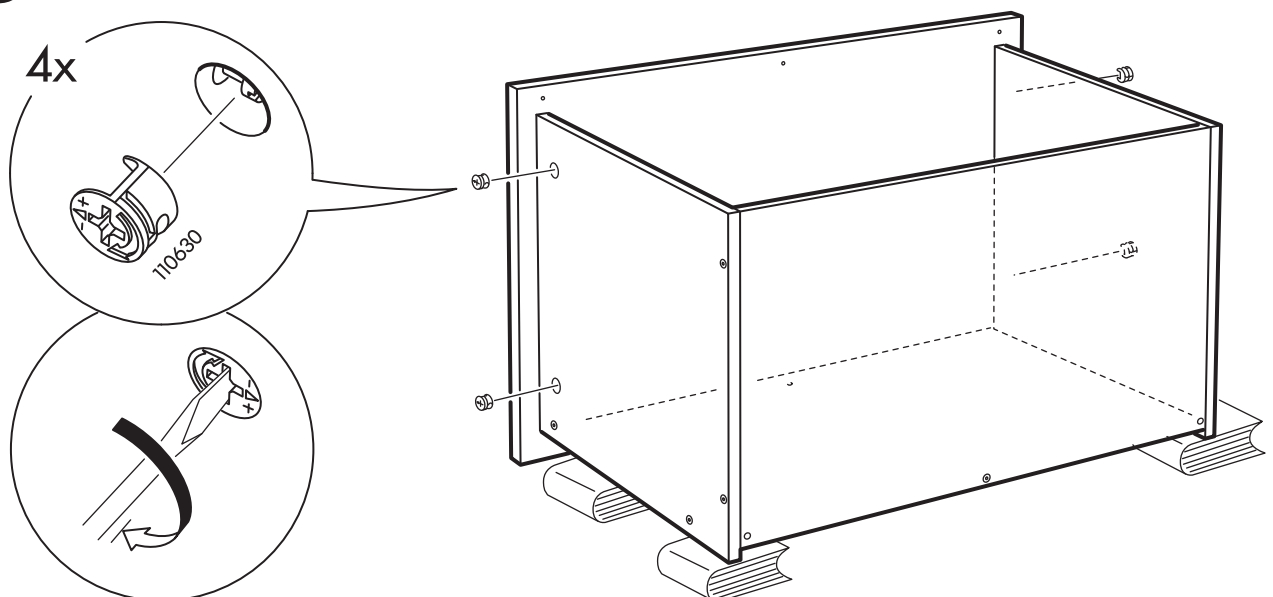
# 23



# 24

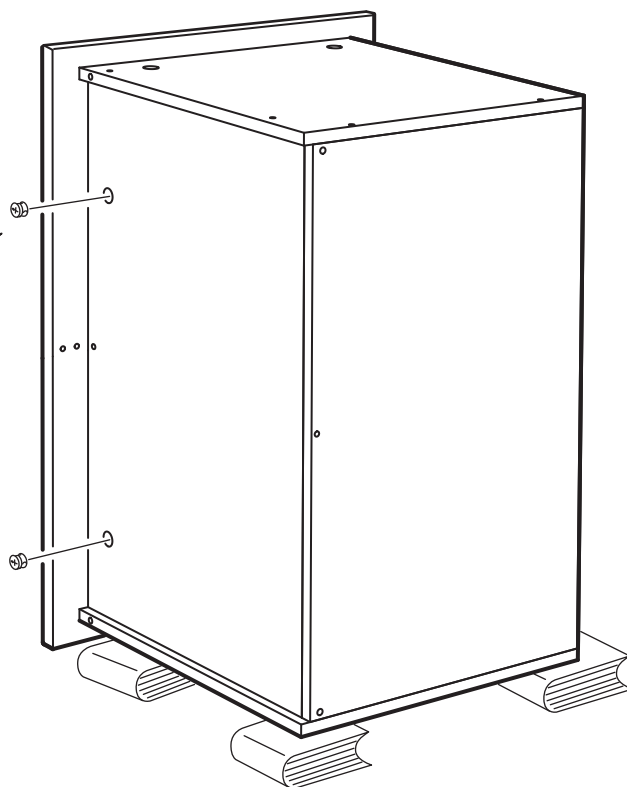
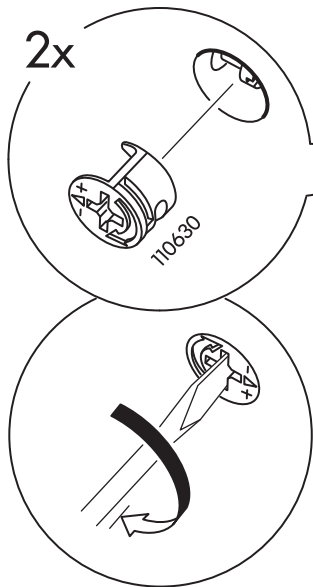
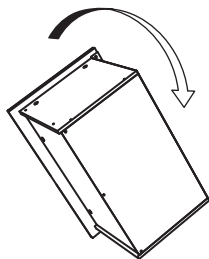


# 25

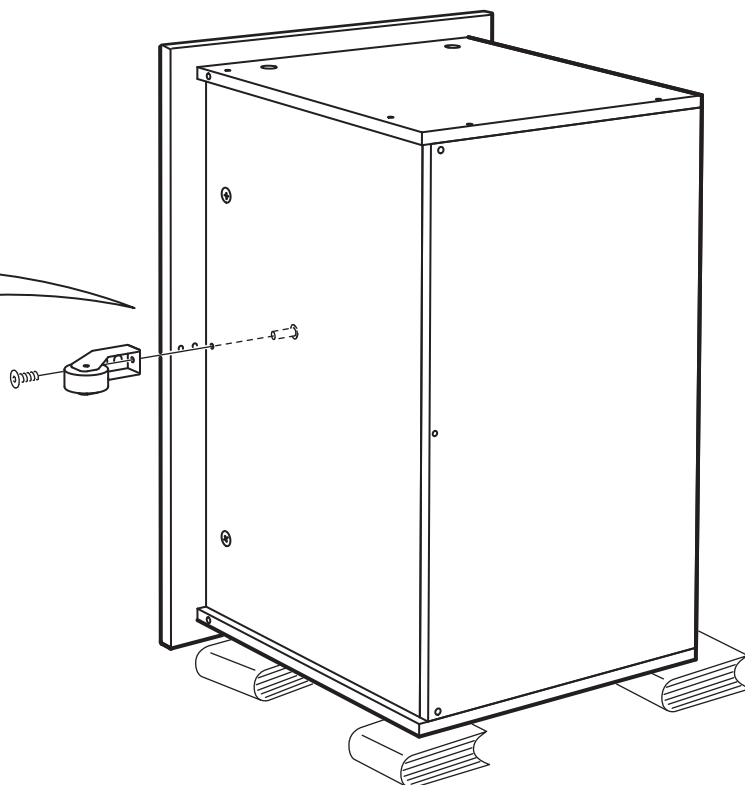
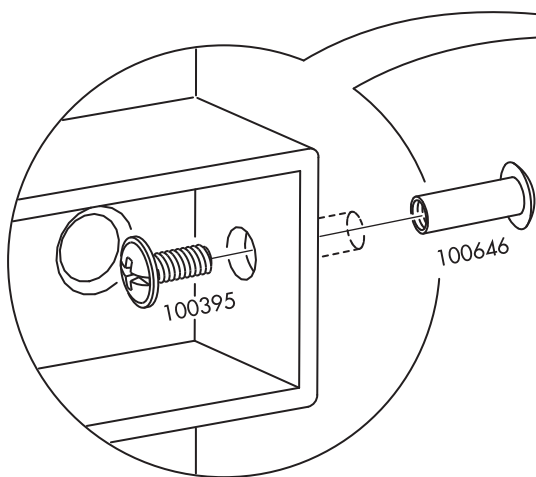




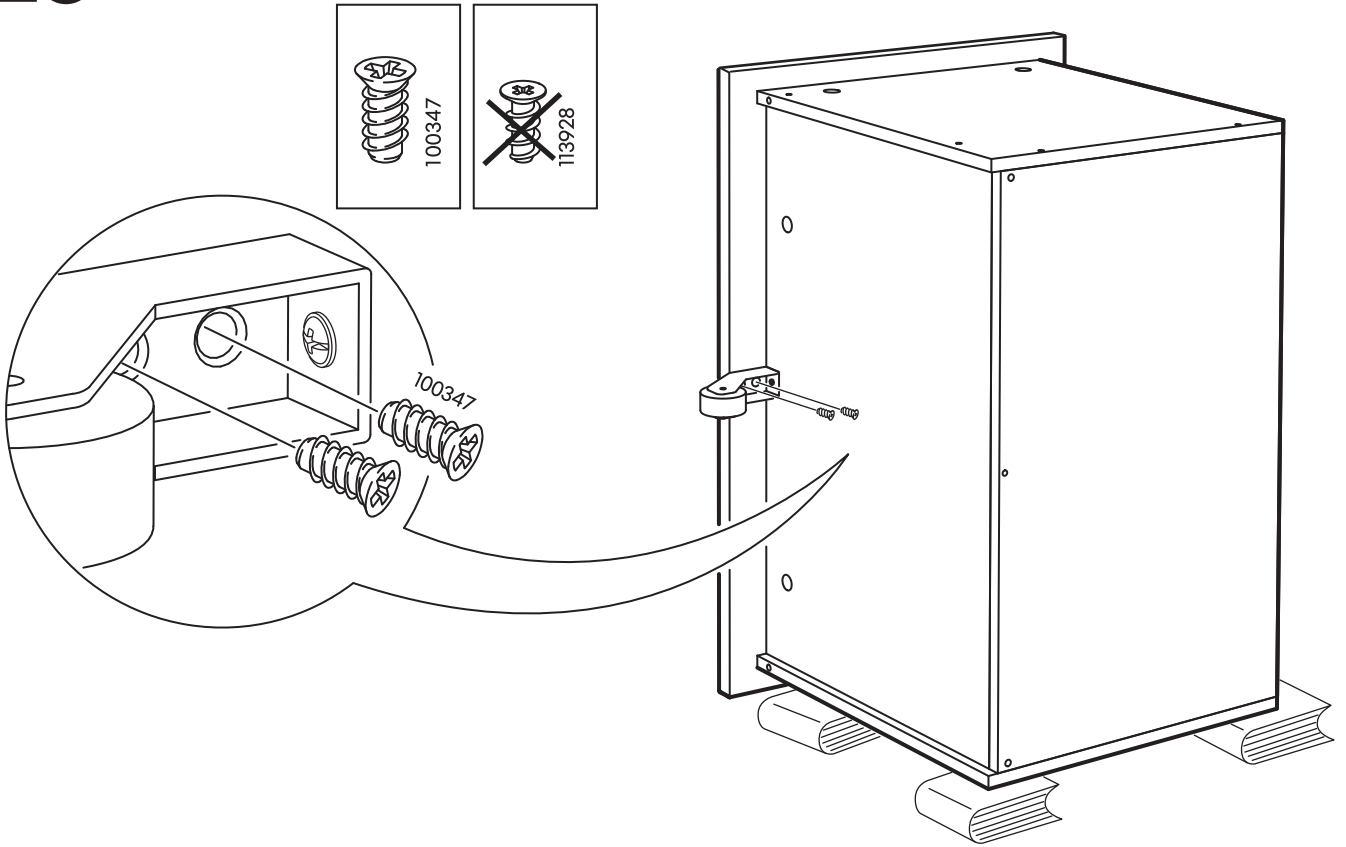
# 26



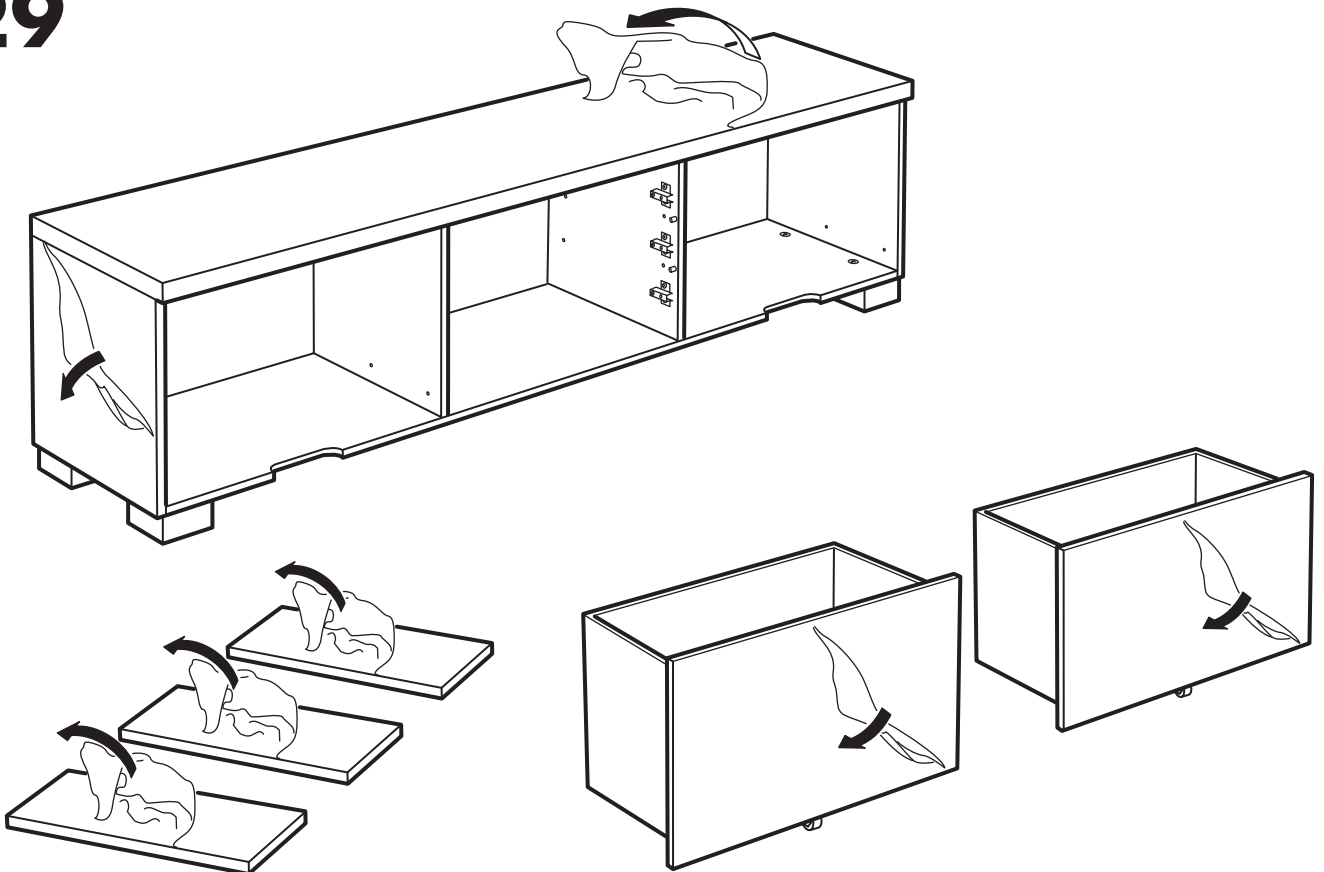
# 27



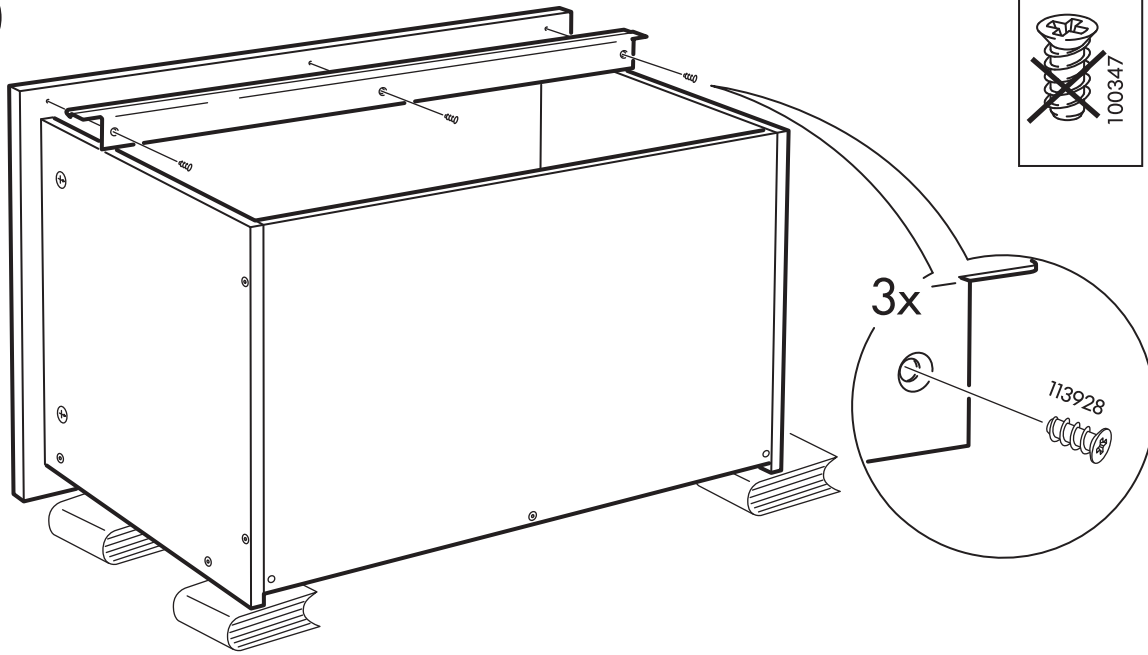
# 28



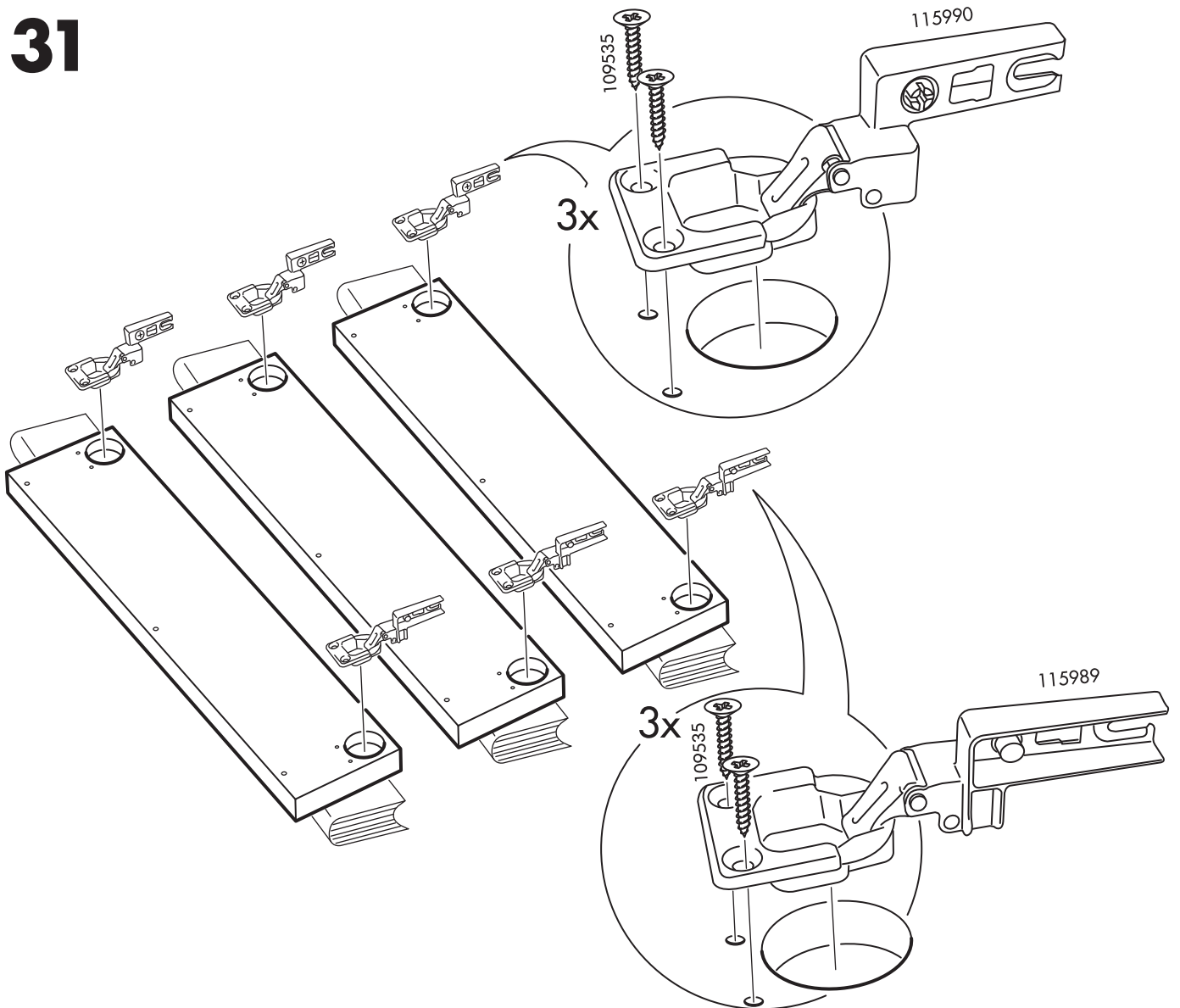
# 29

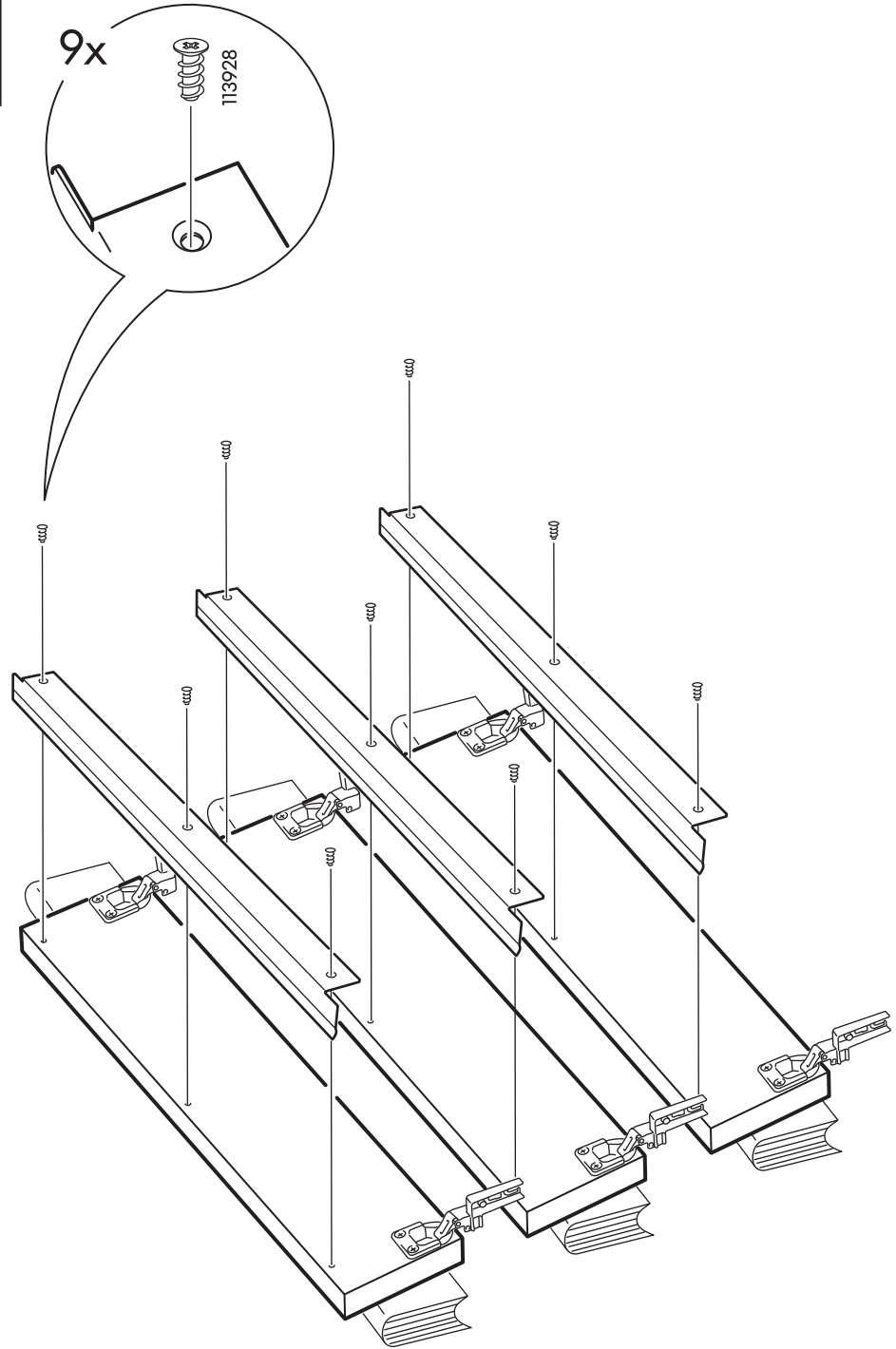


# 30

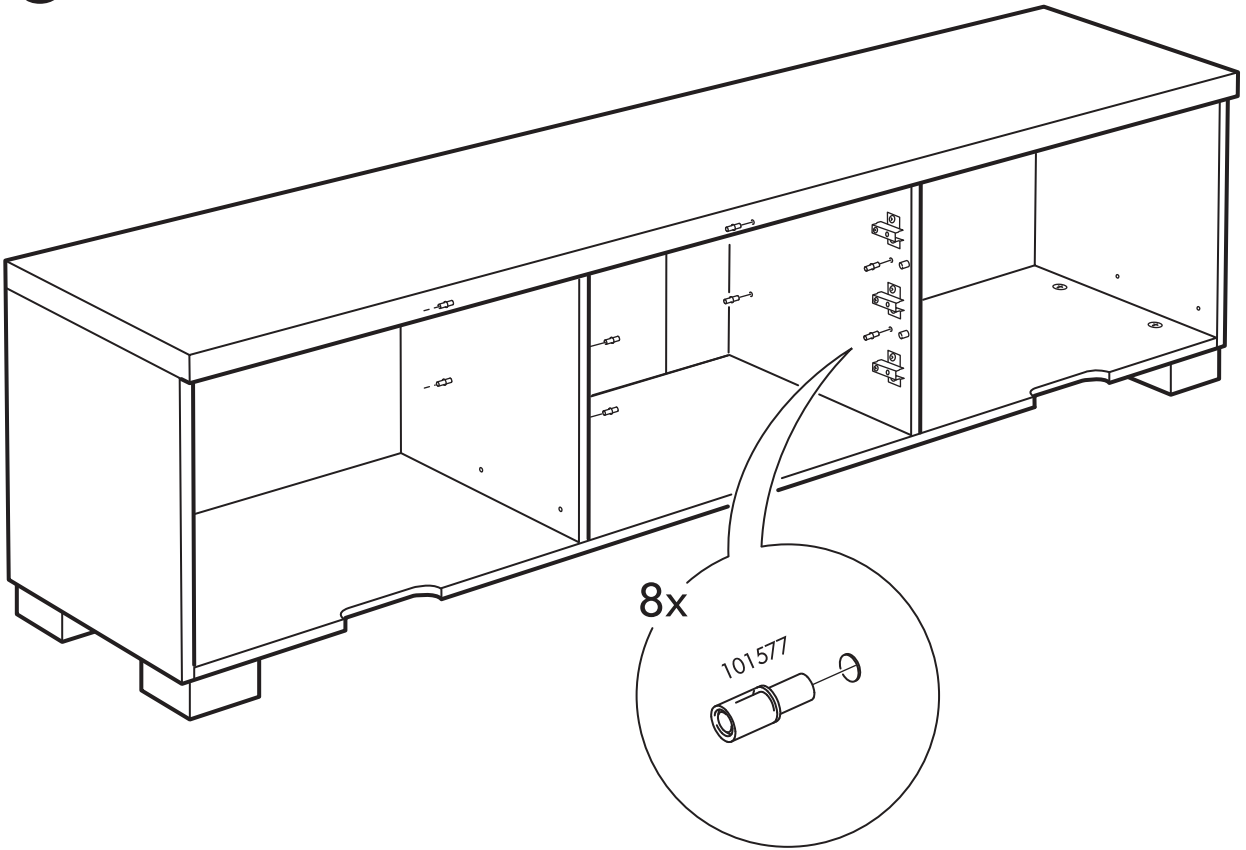


# 31

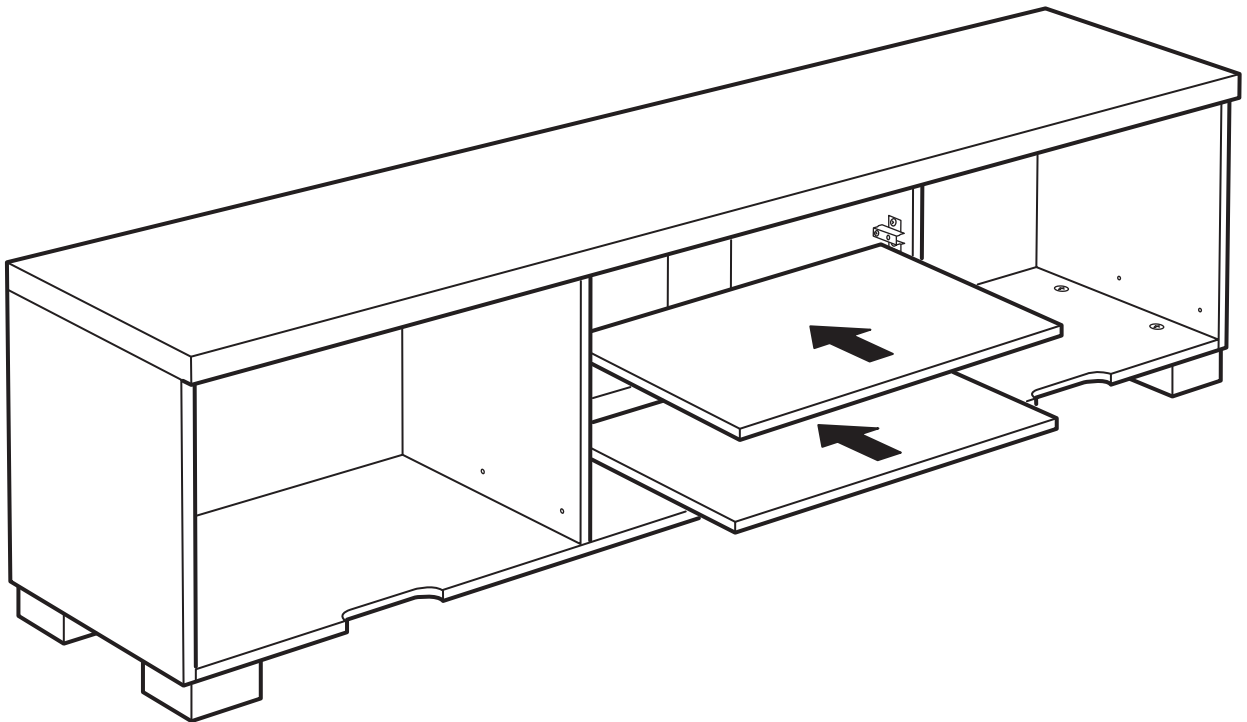




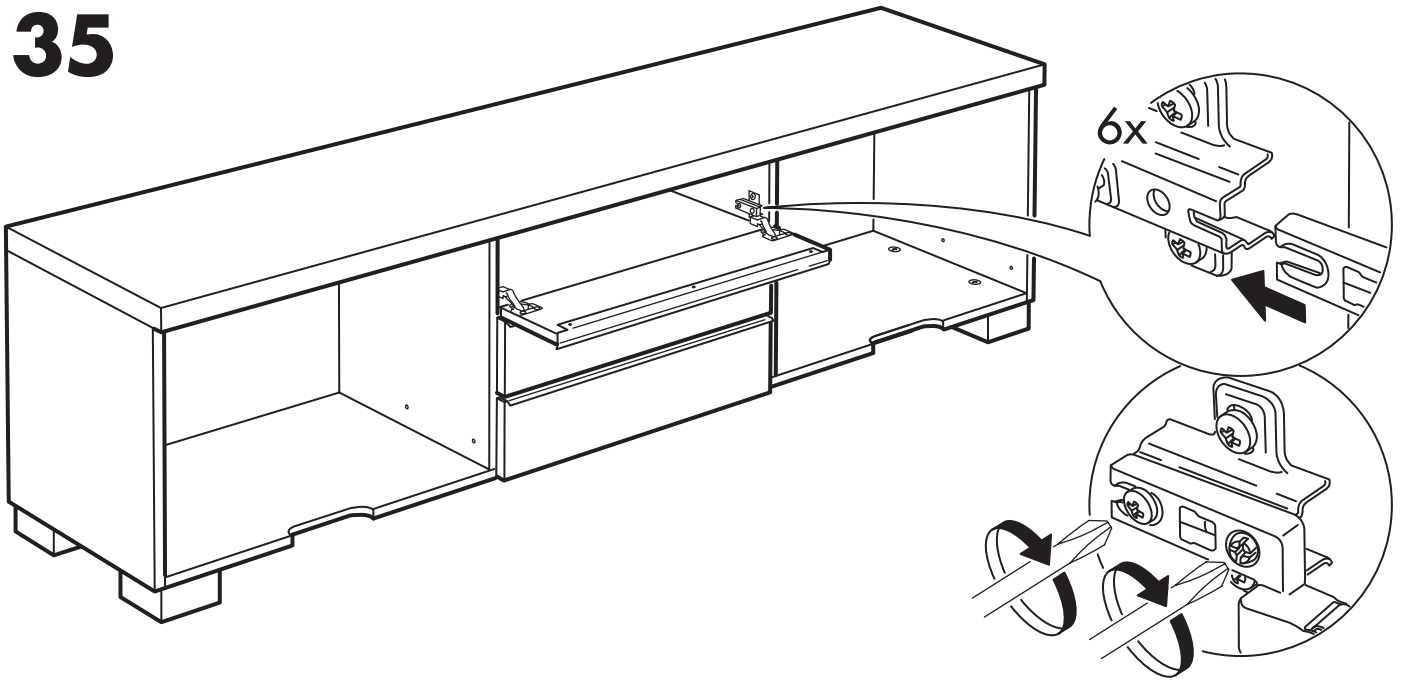
**33**



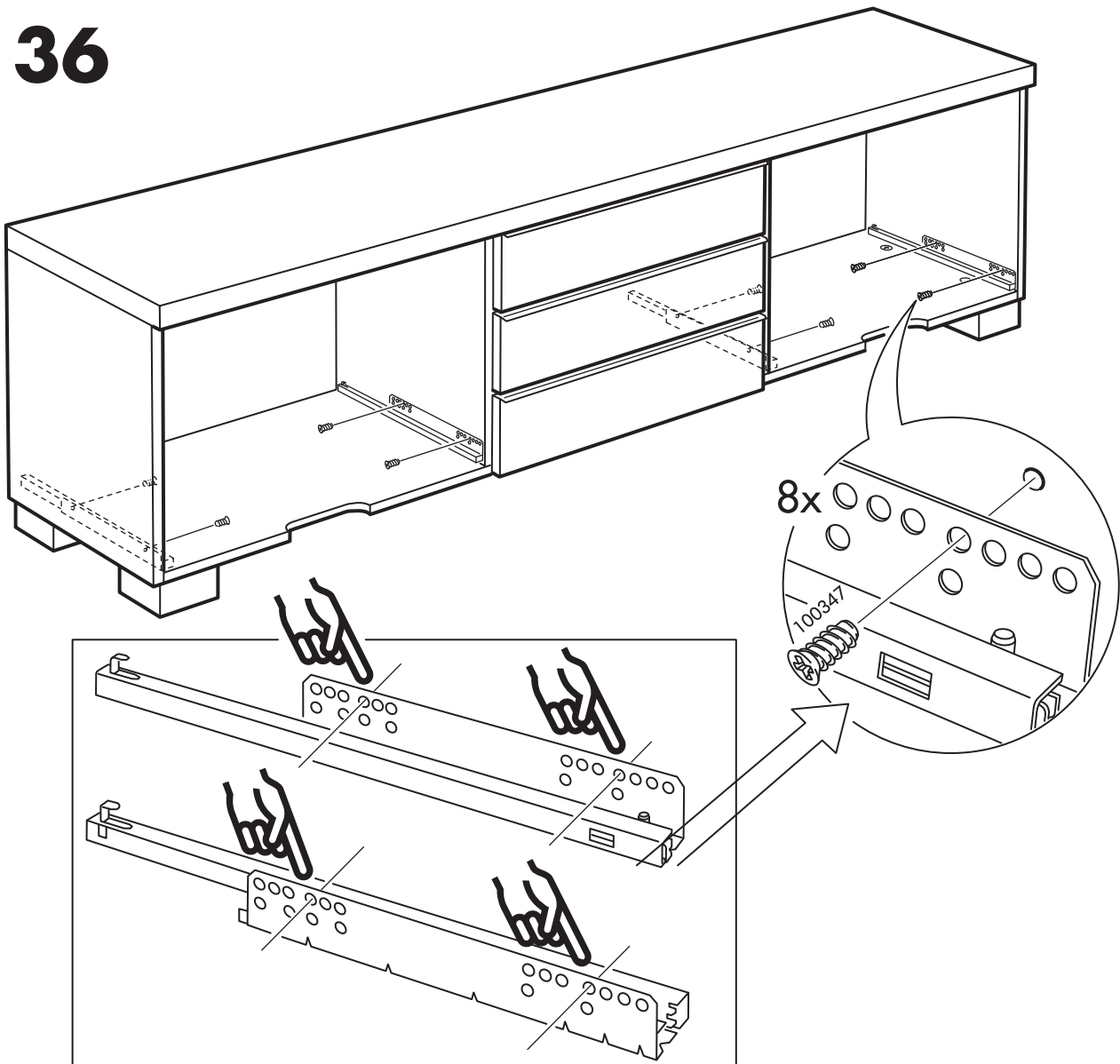
**34**



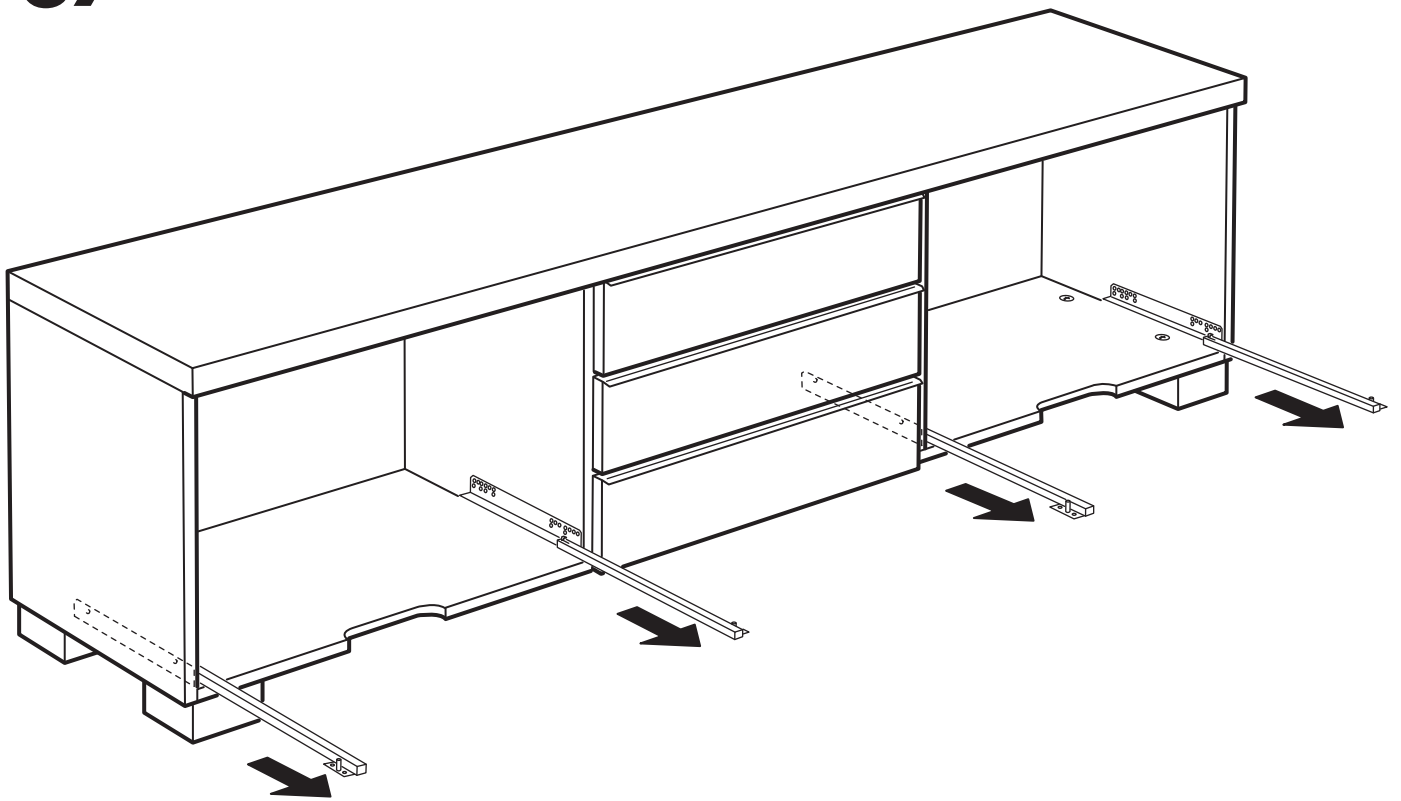
# 35



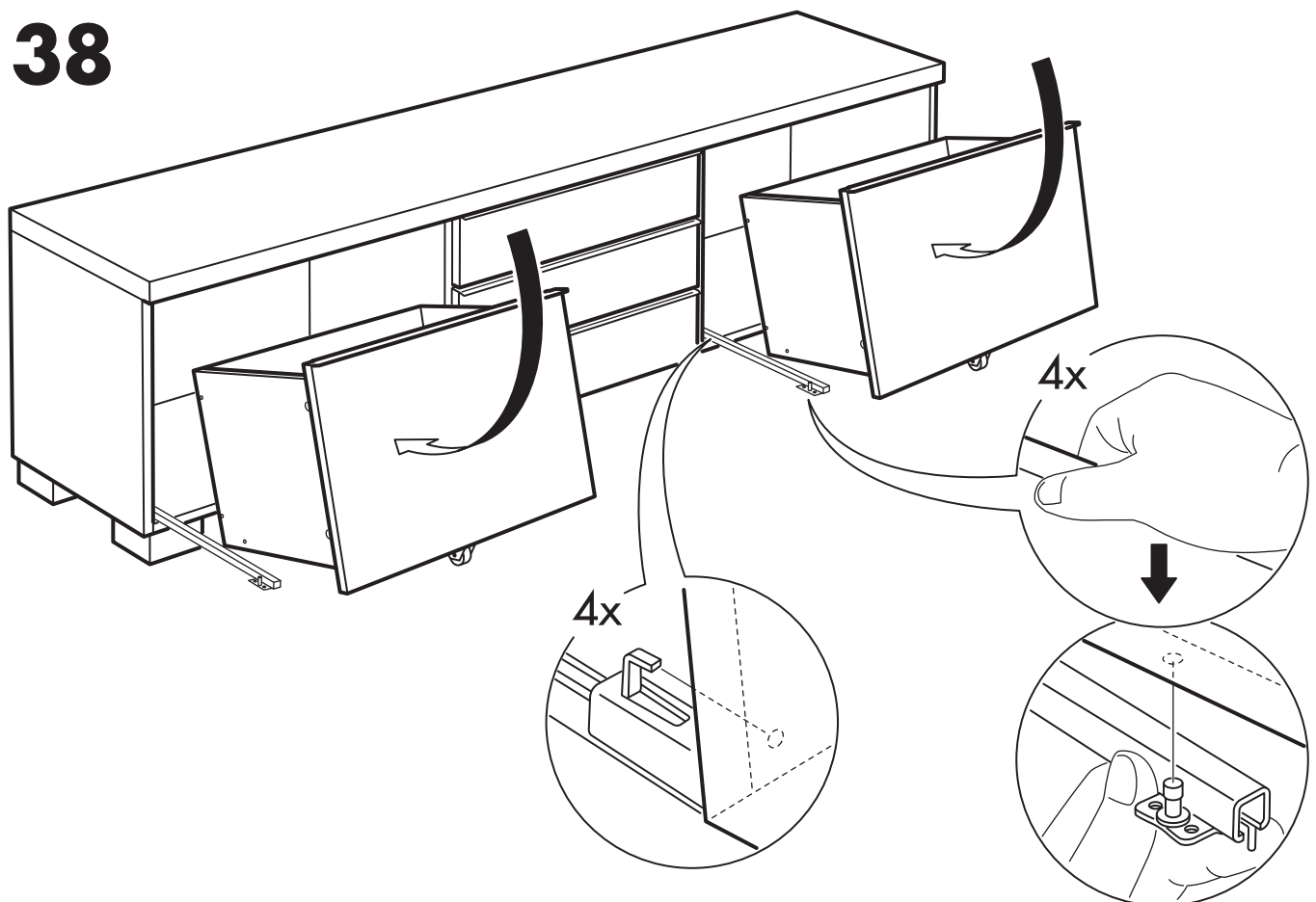
# 36

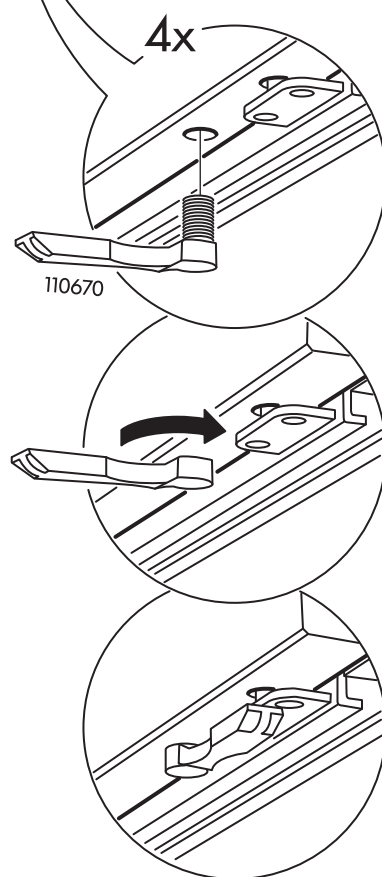
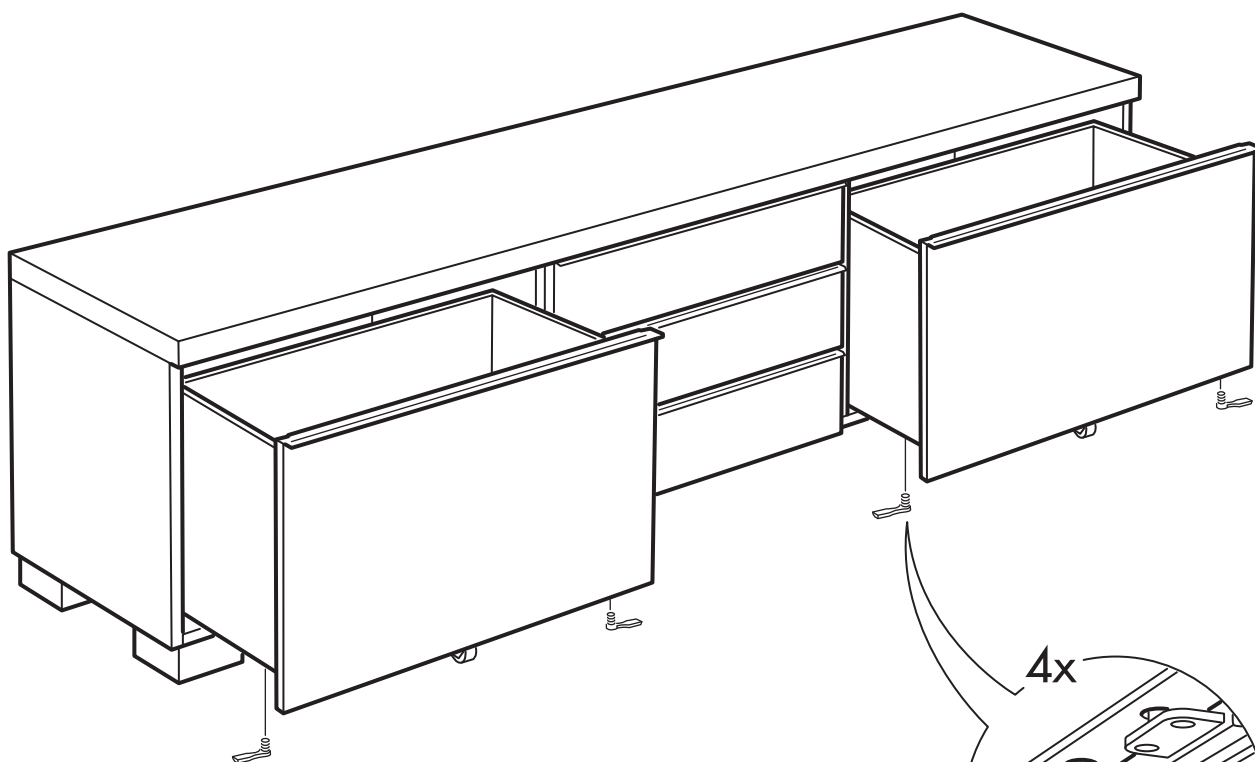


# 37

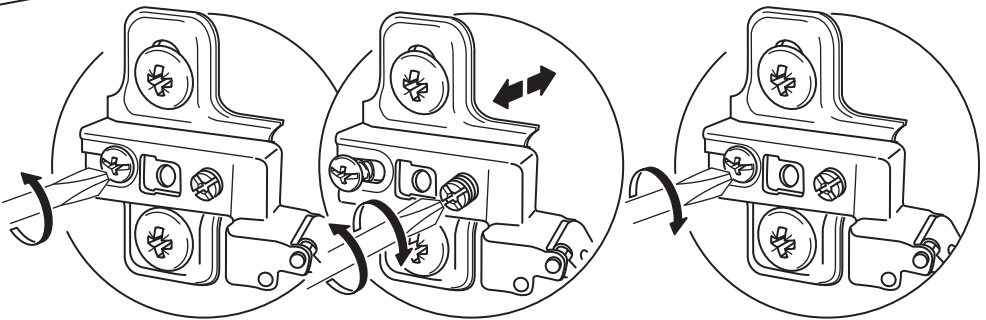
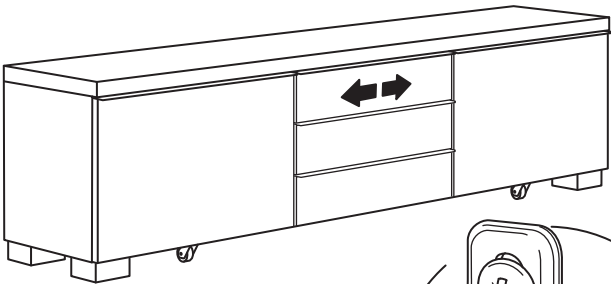
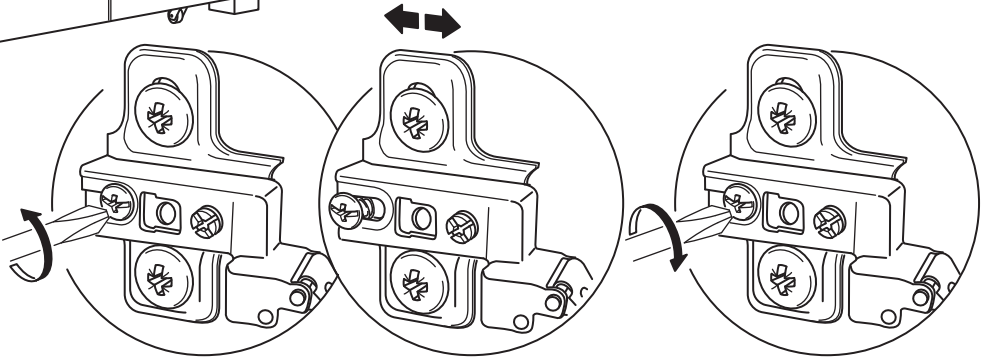
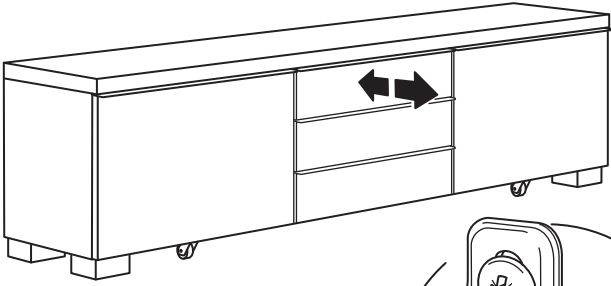
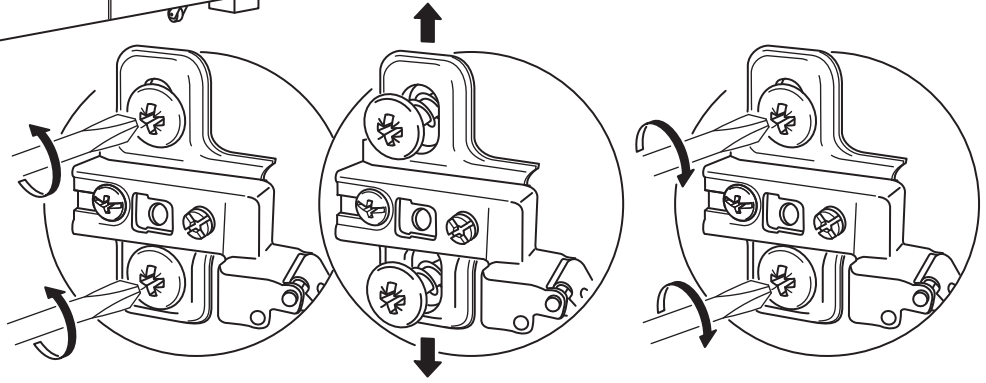
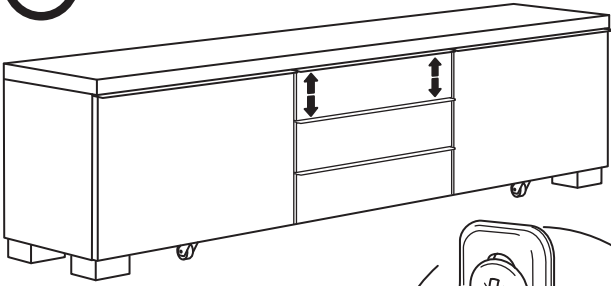


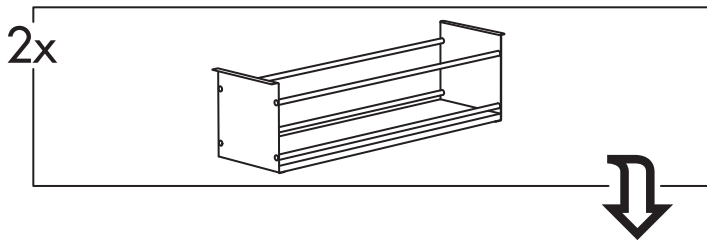
# 38



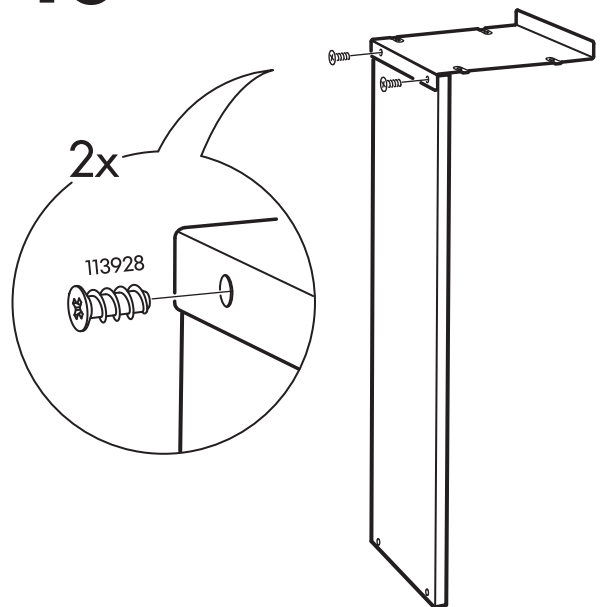




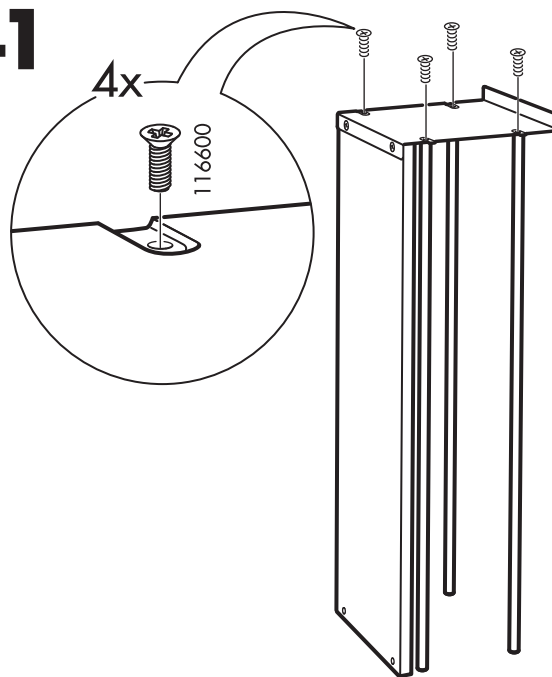




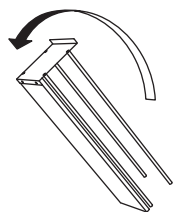
**40**



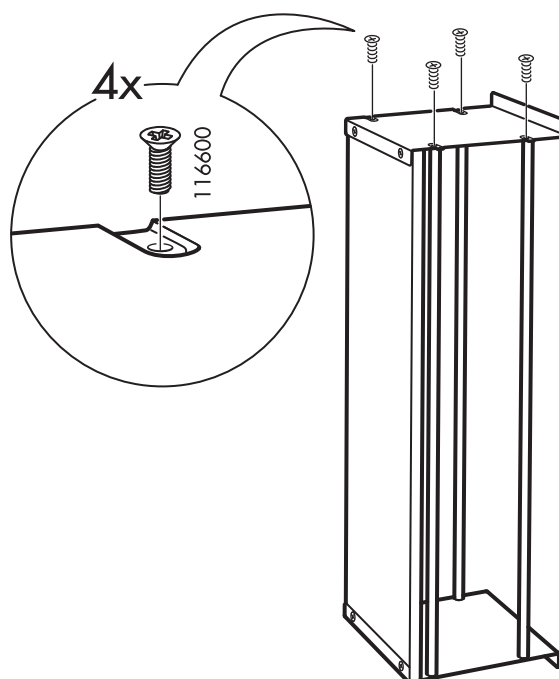
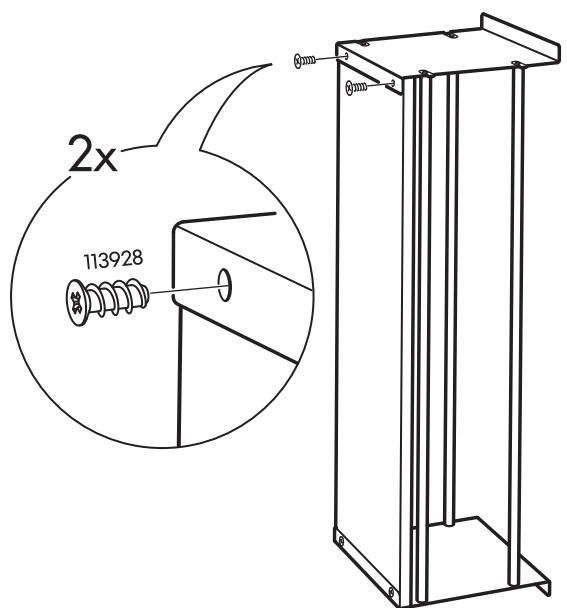
**41**

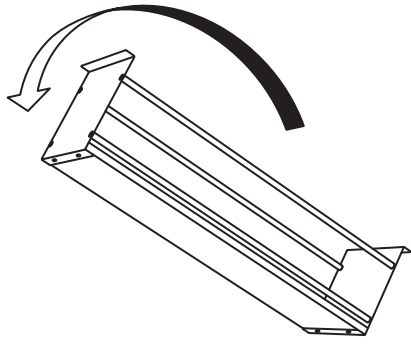


**42**

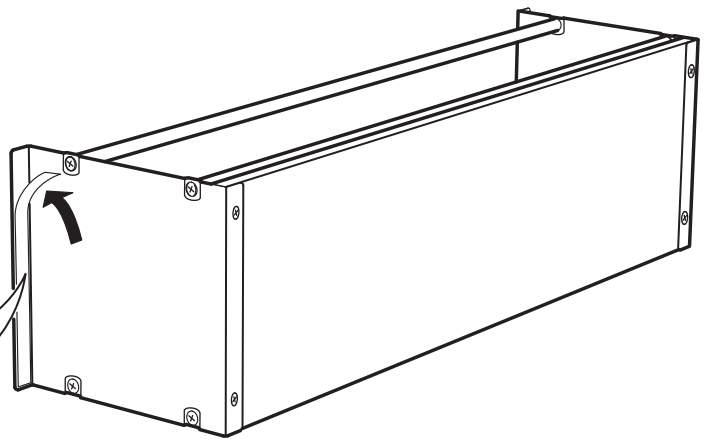
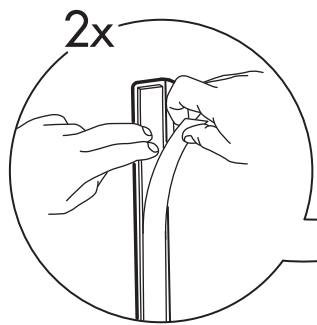
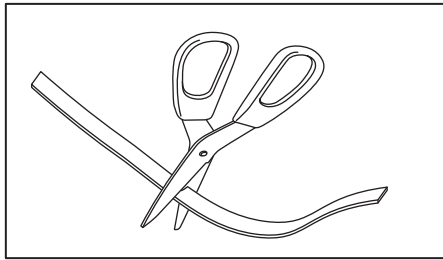


**43**





**44**



**45**

